



INSTRUCTION MANUAL

REPAIR

FLOAT SWITCH

6

Install the float control on the pump as follows:

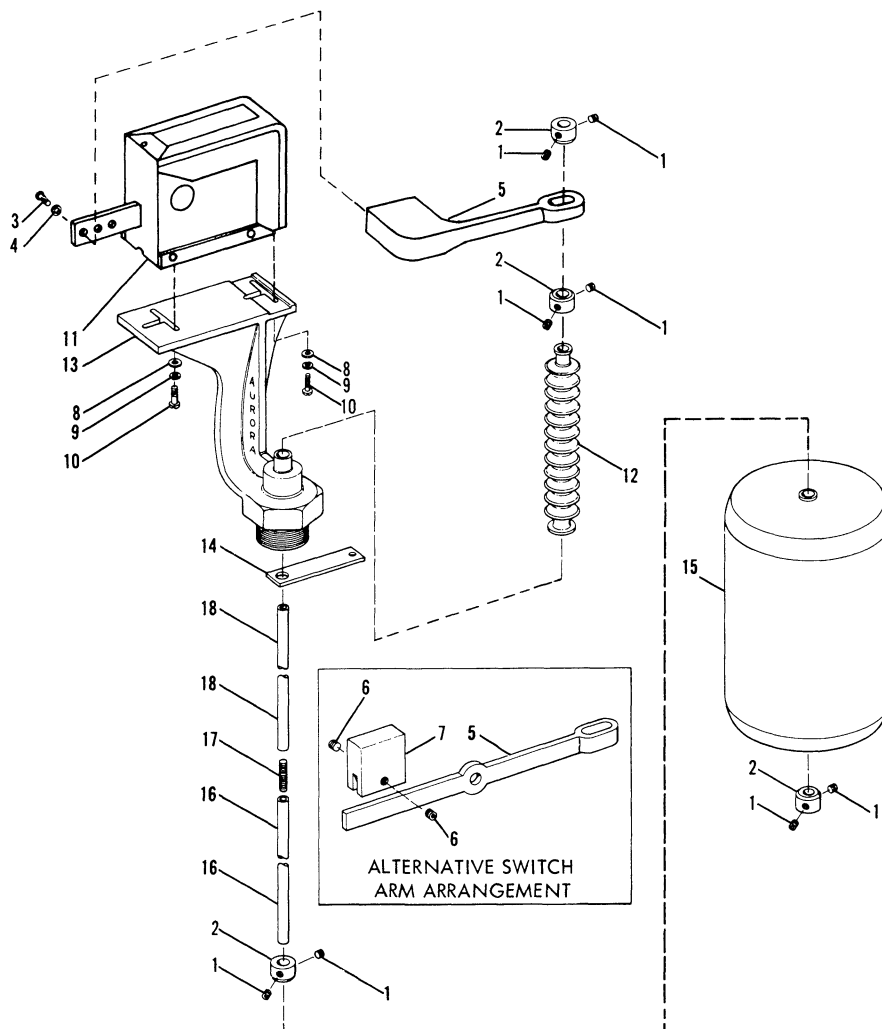
a. Assemble the sections of the float control rod (16 and 18, Figure 9), if more than one is provided, by screwing successive lengths onto threaded rod couplings (17), and lower through tapped float control mounting hole in pump support plate. Measure the desired distance up from the bottom of the rod, and install the upper float stop (2), flat side uppermost, at the required height by tightening the setscrew (1). Slip the float (15) onto the rod. Install the lower stop similarly with its flat surface downward.

b. Slip float switch support stand (13) over control rod, and screw it into the tapped opening in the

pump plate. Install bellows (12) over rod end (if applicable).

c. Mount the float switch or mechanical alternator (11) on stand, and secure by means of flat washer, lock washer, and screw (8, 9, and 10).

d. Slip a control rod stop over the end of the rod, flat side downward. Position the switch arm (5) on the rod and the actuating shaft of the switch, and secure with screws and washers (3 and 4). Install another rod stop, this one with its flat side upward, on the control rod. Tighten the setscrews in the stops to secure the stops approximately 3/4-inch above and below the switch arm.



1000 SERIES

REPAIR PARTS INDEX

SIZE COUPLING	PAGE
L070	2
L075	
L095	
L100	
L110	
L150	
L225	

LOVE JOY COUPLINGS

PARTS LIST

PC. NO.	DESCRIPTION	QTY	PART NO.	MATERIAL				PC. NO.	DESCRIPTION	QTY	PART NO.	MATERIAL								
				B.F.	AB.	A.I.	SS.					B.F.	AB.	A.I.	SS.					
	L070 COUP HALF																			
	.590B-1/8x1/16	1	256-0007	648																
	5/8B-3/16x3/32	1	256-0008	648																
	3/4B-3/16x3/32	1	256-0010	648																
	L070 COUP INSERT	1	448-0020	650																
	L075 COUP HALF																			
	1/2B-NO KEY	1	256-0184	648																
	.590B-1/8x1/16	1	256-0186	648																
	5/8B-3/16x3/32	1	256-0187	648																
	3/4B-3/16x3/32	1	256-0189	648																
	.787B-5/32x5/64	1	256-0190	648																
	13/16B-5/32x5/64	1	256-0193	648																
	7/8B-3/16x3/32	1	256-0192	648																
	L075 COUP INSERT	1	448-0021	650																
	L095 COUP HALF																			
	1/2B-NO KEY	1	256-2422	648																
	.590B-1/8x1/16	1	256-2424	648																
	5/8B-3/16x3/32	1	256-2425	648																
	3/4B-3/16x3/32	1	256-2427	648																
	.787B-5/32x5/64	1	256-2428	648																
	7/8B-3/16x3/32	1	256-2430	648																
	1B-1/4x1/8	1	256-2432	648																
	1-1/8B-1/4x1/8	1	256-2436	648																
	L095 COUP INSERT	1	448-0024	650																
	L100 COUP HALF																			
	.590B-1/8x1/16	1	256-2442	648																
	5/8B-3/16x3/32	1	256-2443	648																
	3/4B-3/16x3/32	1	256-2445	648																
	.787B-5/32x5/64	1	256-2446	648																
	7/8B-3/16x3/32	1	256-2448	648																
	1B-1/4x1/8	1	256-2450	648																
	1-1/8B-1/4x1/8	1	256-2452	648																
	1.181B-3/16x3/32	1	256-2453	648																
	1-1/4B-1/4x1/8	1	256-2455	648																
	1-3/8B-5/16x5/32	1	256-2457	648																
	1-3/8B-3/8x3/16	1	256-2458	648																
	L100 COUP INSERT	1	448-0026	650																
	L110 COUP HALF																			
	3/4B-3/16x3/32	1	256-2467	648																
	.787B-5/32x5/64	1	256-2468	648																
	L110 COUP HALF																			
	7/8B-3/16x3/32	1	256-2470	648																
	1B-1/4x1/8	1	256-2472	648																
	1-1/8B-1/4x1/8	1	256-2474	648																
	1.181B-3/16x3/32	1	256-2475	648																
	1-1/4B-1/4x1/8	1	256-2477	648																
	1-3/8B-3/8x3/16	1	256-2479	648																
	1-3/8B-5/16x5/32	1	256-2484	648																
	1-1/2B-3/8x3/16	1	256-2481	648																
	1-5/8B-3/8x3/16	1	256-2483	648																
	L110 COUP INSERT	1	448-0027	650																
	L150 COUP HALF																			
	3/4B-3/16x3/32	1	256-0090	648																
	.787B-5/32x5/64	1	256-0091	648																
	1B-1/4x1/8	1	256-0095	648																
	1-1/8B-1/4x1/8	1	256-0097	648																
	1.181B-3/16x3/32	1	256-0098	648																
	1-1/4B-1/4x1/8	1	256-0100	648																
	1-3/8B-3/8x3/16	1	256-0102	648																
	1-3/8B-5/16x5/32	1	256-0103	648																
	1-1/2B-3/8x3/16	1	256-0105	648																
	1-5/8B-3/8x3/16	1	256-0107	648																
	1-3/4B-3/8x3/16	1	256-0109	648																
	1-7/8B-1/2x1/4	1	256-0111	648																
	L150 COUP INSERT	1	448-0028	650																
	L225 COUP HALF																			
	1B-1/4x1/8	1	256-0153	648																
	1-1/8B-1/4x1/8	1	256-0155	648																
	1.181B-3/16x3/32	1	256-0156	648																
	1-1/4B-1/4x1/8	1	256-0158	648																
	1-3/8B-3/8x3/16	1	256-0160	648																
	1-1/2B-3/8x3/16	1	256-0162	648																
	1-5/8B-3/8x3/16	1	256-0164	648																
	1-3/4B-3/8x3/16	1	256-0166	648																
	1-7/8B-1/2x1/4	1	256-0168	648																
	2B-1/2x1/4	1	256-0170	648																
	2-1/8B-1/2x1/4	1	256-0172	648																
	2-3/8B-5/8x5/16	1	256-0176	648																
	L225 COUP INSERT	1	448-0031	650																

EXAMPLE: 5/8B-3/16x3/32 = 5/8" BORE-3/16x3/32 KEYWAY