

# DATA SHEET VERTICAL "HP" FLANGE MOTORS

SECTION 1010 PAGE 71  
DATED JANUARY 30, 1984

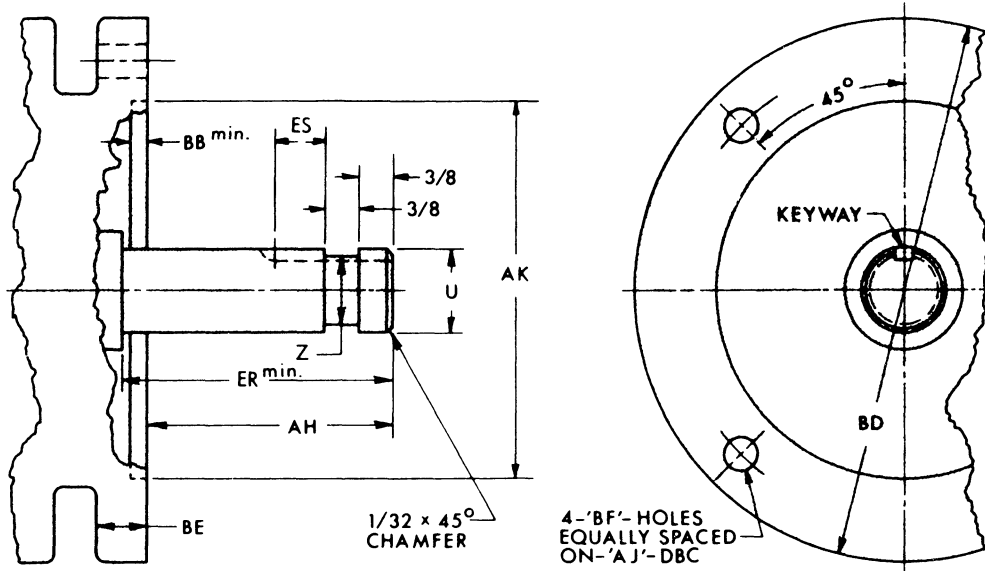
**RATED: 3 PHASE 60 HERTZ 200, 230/460, 575 VOLTS**

H.P.	MAGNETIC STARTER SIZE REQ'D NEMA 1 ENCLOSURE			APPROXIMATE FULL LOAD AMPS.			
	200V & 230	460V	575V	200V	230V	460V	575V
<sup>3</sup> / <sub>4</sub>	00	00	00	3.2	2.8	1.4	1.1
1	00	00	00	4.1	3.6	1.8	1.4
1½	00	00	00	6.0	5.2	2.6	2.1
2	0	00	00	7.8	6.8	3.4	2.7
3	0	0	0	11.0	9.6	4.8	3.9
5	1	0	0	17.5	15.2	7.6	6.1
7½	1	1	1	25.3	22	11	9
10	2	1	1	32.2	28	14	11
15	2	2	2	48.3	42	21	17
20	3	2	2	62.1	54	27	22
25	3	2	2	78.2	68	34	27
30	3	3	3	92.0	80	40	32
40	4	3	3	119.6	104	52	41
50	4	3	3	149.5	130	65	52
60	5	4	4	177.1	154	77	62
75	5	4	4	220.8	192	96	77
100	5	4	4	285.2	248	124	99
125	6	5	5	358.8	312	156	125
150	6	5	5	414	360	180	144
200	6	5	5	552	480	240	192

FOR HORSEPOWER RATINGS ABOVE 200 H P PLEASE REFER TO THE FACTORY.

# VERTICAL "HP" FLANGE MOTOR DIMENSIONS

1965 RERATE  
 NEMA FRAMES



FRAME SIZE	U	Z	ER	AH	AJ	AK	BB	BD	BE	BF	ES	KEYWAY	
143HP	7/8	11/16	2-3/4	2-3/4	9-1/8	8.253	3/16	10	1/2	7/16	1-1/4	3/16 x 3/32	
145HP	7/8	11/16	2-3/4	2-3/4	9-1/8	8.250	3/16	10	1/2	7/16	1-1/4	3/16 x 3/32	
182HP	1-1/8	7/8	2-3/4	2-3/4	9-1/8	8.253	3/16	10	9/16	7/16	1-1/4	1/4 x 1/8	
184HP	1-1/8	7/8	2-3/4	2-3/4	9-1/8		3/16	10	9/16	7/16	1-1/4	1/4 x 1/8	
213HP	1-1/8	7/8	2-3/4	2-3/4	9-1/8		3/16	10	9/16	7/16	1-1/4	1/4 x 1/8	
215HP	1-1/8	7/8	2-3/4	2-3/4	9-1/8		8.250	3/16	10	9/16	7/16	1-1/4	1/4 x 1/8
254HP	1-1/8	7/8	2-3/4	2-3/4	9-1/8		3/16	10	9/16	7/16	1-1/4	1/4 x 1/8	
256HP	1-1/8	7/8	2-3/4	2-3/4	9-1/8		3/16	10	9/16	7/16	1-1/4	1/4 x 1/8	
284HPH	1-5/8	1-1/4	4-1/2	4-1/2	14-3/4		13.505	1/4	16-1/2	3/4	11/16	3	3/8 x 3/16
286HPH	1-5/8	1-1/4	4-1/2	4-1/2	14-3/4			1/4	16-1/2	3/4	11/16	3	3/8 x 3/16
324HP	1-5/8	1-1/4	4-1/2	4-1/2	14-3/4	1/4		16-1/2	3/4	11/16	3	3/8 x 3/16	
326HP	1-5/8	1-1/4	4-1/2	4-1/2	14-3/4	1/4		16-1/2	3/4	11/16	3	3/8 x 3/16	
364HP	1-5/8	1-1/4	4-1/2	4-1/2	14-3/4	13.500		1/4	16-1/2	3/4	11/16	3	3/8 x 3/16
365HP	1-5/8	1-1/4	4-1/2	4-1/2	14-3/4	1/4		16-1/2	3/4	11/16	3	3/8 x 3/16	
404HP	1-5/8	1-1/4	4-1/2	4-1/2	14-3/4	1/4		16-1/2	3/4	11/16	3	3/8 x 3/16	
405HP	1-5/8	1-1/4	4-1/2	4-1/2	14-3/4	1/4		16-1/2	3/4	11/16	3	3/8 x 3/16	
444HP	2-1/8	1-3/4	4-1/2	4-1/2	14-3/4	13.505	1/4	16-1/2	3/4	11/16	3	1/2 x 1/4	
445HP	2-1/8	1-3/4	4-1/2	4-1/2	14-3/4	13.500	1/4	16-1/2	3/4	11/16	3	1/2 x 1/4	

NOTES.

1. SHAFT DIAMETER AND RABBET TO BE CONCENTRIC WITHIN .004 T I R FRAMES 143 HP-256 HP. .006 T I R FRAMES 284 HPH-445 HP
2. END PLAY NOT TO EXCEED .005
3. U-RING GROOVE IS RECOMMENDED FOR MAXIMUM INTERCHANGEABILITY, BUT IS NOT REQUIRED