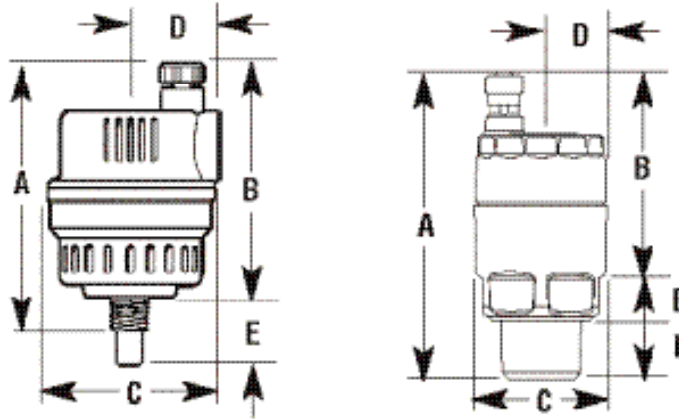


AURORA ACCESSORIES
WATTS AUTOMATIC VENT VALVE



MODEL	SIZE	A	B	C	D	E	F
FV-4M1	1/8" NPTF	2.94 (75)	2.63 (67)	1.63 (41)	0.81 (21)	0.31 (8)	0.31 (8)
FV-4M1	1" NPTF	3.13 (79)	2.63 (67)	1.63 (41)	0.81 (21)	0.13 (3)	0.50 (13)
FV-4M1	1/2" NPTF	3.31 (84)	2.69 (69)	1.25 (32)	0.69 (18)	0.63 (16)	-
FV-4M1	3/4" NPTF	3.38 (86)	2.69 (69)	1.25 (32)	0.69 (18)	0.63 (16)	-
FV-4M1	1" NPTF	3.50 (89)	2.69 (69)	1.38 (35)	0.69 (18)	0.81 (20)	-

For automatic air venting of hot or cold water. Brass body with polyethylene float.

NOTES:

1. All dimensions in inches (mm), lbs (kg)
2. Dimensions may vary plus minus 1/8 (3)
3. Maximum working pressure is 150 psi (10 Bar),
 Minimum Working Pressure 1.45 psi (10 kPa)
4. Maximum working temperature 240 deg F (116 deg C)
5. For additional information visit www.wattsreg.com