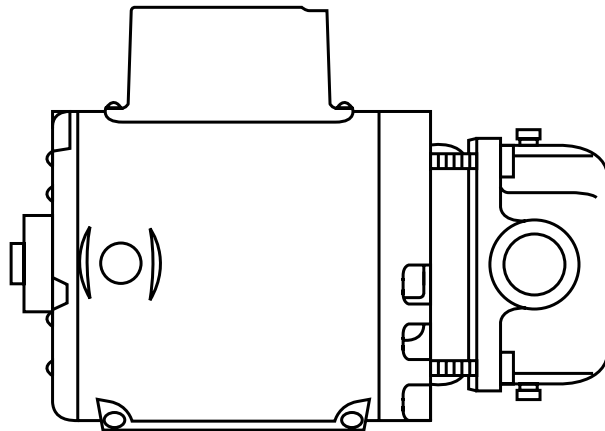


130 SERIES REPAIR PARTS INDEX

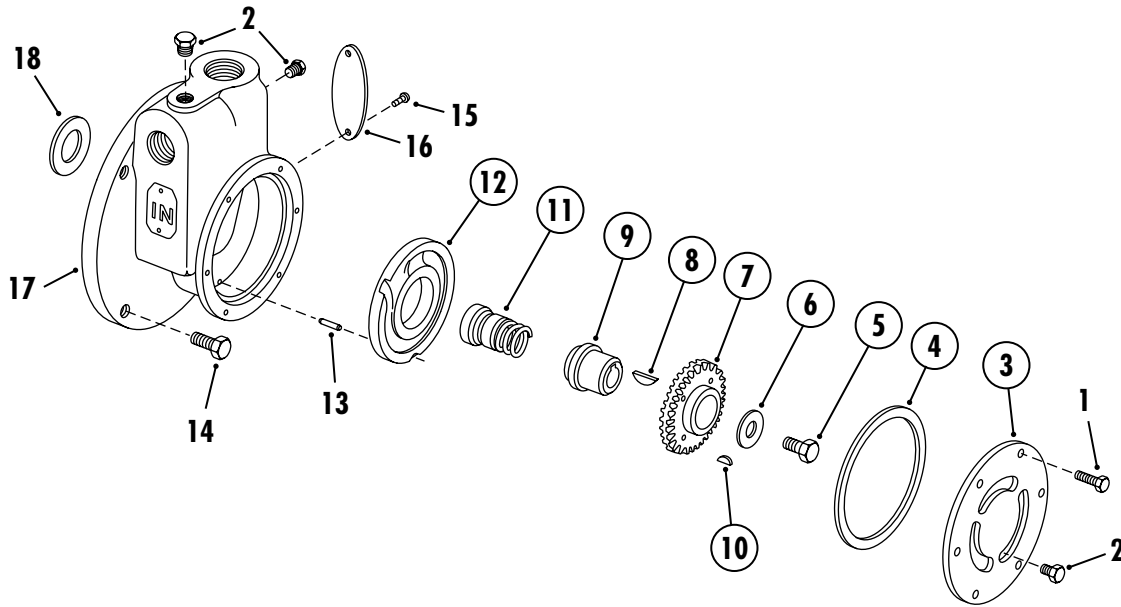


READ AND UNDERSTAND THE PUMP AND MOTOR
INSTRUCTIONS BEFORE ATTEMPTING TO INSTALL,
DISASSEMBLE OR REPAIR THE PUMP

130 SERIES

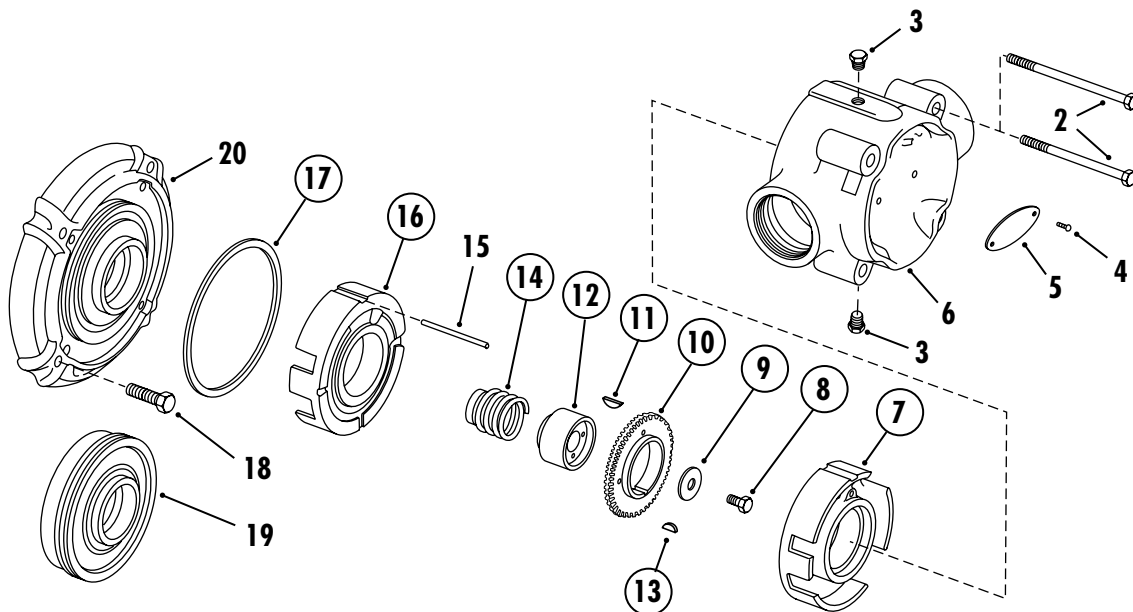
MODEL 133-134-135 PIECE NUMBERS

133



Circled piece numbers indicate recommended spare parts.

134-135



Circled piece numbers indicate recommended spare parts.

**MODELS 133-134
D03-G03 & A04-D04
PARTS LIST**

PC. NO.	DESCRIPTION	QTY	PART NO.	MATERIAL			
				B.F.	A.B.	A.I.	S.S.
	MODEL 133 PUMP SIZES D03 THRU G03						
1	CAPSCREW	6	168-0254	082	082	082	
2	PIPE PLUG	3	600-0001	087	190	087	
3	COVER	D03	260-0550	208	208	370	
		E03	260-0551	208	208	370	
		F03	260-0552	208	208	370	
		G03	260-0553	208	208	370	
4	GASKET	1	364-0426	457	457	457	
5	CAPSCREW	1	168-0251	104	104	104	
6	WASHER	1	908-0599	104	104	104	
7	IMPELLER	D03	444-1662	208	208	053	
		E03-F03	444-1663	208	208	053	
		G03	444-1664	208	208	053	
8	KEY	1	472-0105	100	100	100	
9	SLEEVE	1	756-0203	208	208	104	
10	KEY	1	472-0105	100	100	100	
11	SEAL	1	712-1004	749	764	749	
12	INNER RING	D03	676-1655	208	208	370	
		E03	676-1656	208	208	370	
		F03	676-1657	208	208	370	
		G03	676-1658	208	208	370	
13	RING KEY	1	472-1010	104	104	104	
14	CAPSCREW	4	168-0380	082	082	082	
15	DRIVE SCREW	2	708-0013	365	365	365	
16	NAMEPLATE	1	532-0014	324	324	324	
17	CASING	1	180-1230	010	208	010	
18	SLINGER	1	764-1002	478	478	478	

PC. NO.	DESCRIPTION	QTY	PART NO.	MATERIAL			
				B.F.	A.B.	A.I.	S.S.
	MODEL 134 PUMP SIZES A04 THRU D04						
2	CAPSCREW	4	168-0392	082	082	082	082
3	PLUG	2	600-0001	087	190	087	104
4	DRIVE SCREW	2	708-0013	365	365	365	365
5	NAMEPLATE	1	532-0014	324	324	324	324
6	CASING	1	180-1231	010	208	010	104
7	OUTER RING	A04	676-1632	208	208	370	
			676-0481				548
		B04	676-1634	208	208	370	
			676-1664				548
		C04	676-1636	208	208	370	
			676-1220				548
		D04	676-1638	208	208	370	+
		8	CAPSCREW	1	168-0255	104	104
9	WASHER	1	908-0599	104	104	104	104
10	IMPELLER	A04-B04	444-1651	208	208	053	
			444-2246				104
		C04	444-1652	208	208	053	
			444-0724				104
		D04	444-1653	208	208	053	+
11	KEY	1	472-0105	100	100	100	104
12	SLEEVE	1	756-0208	208	208	104	104
13	KEY	1	472-0105	100	100	100	104
14	SEAL	1	712-1004	749	764	749	764
15	PIN	1	592-0803	104	104	104	104
16	INNER RING	A04	676-1631	208	208	370	
			676-0480				548
		B04	676-1633	208	208	370	
			676-1663				548
		C04	676-1635	208	208	370	
			676-1219				548
		D04	676-1637	208	208	370	+
17	GASKET	1	364-0391	457	457	457	457
18	CAPSCREW		NOT REQUIRED				
19	BRACKET FRAME						
		56-184T	1	116-0295	010	208	010
20	BRACKET FRAME						
	213T-256T		NOT AVAILABLE				

+ Refer to Factory

