

AURORA MODELS 321, 322, 323

SECTION 320 PAGE 71

60 HERTZ MOTOR DATA SHEET

DATED APRIL 1970

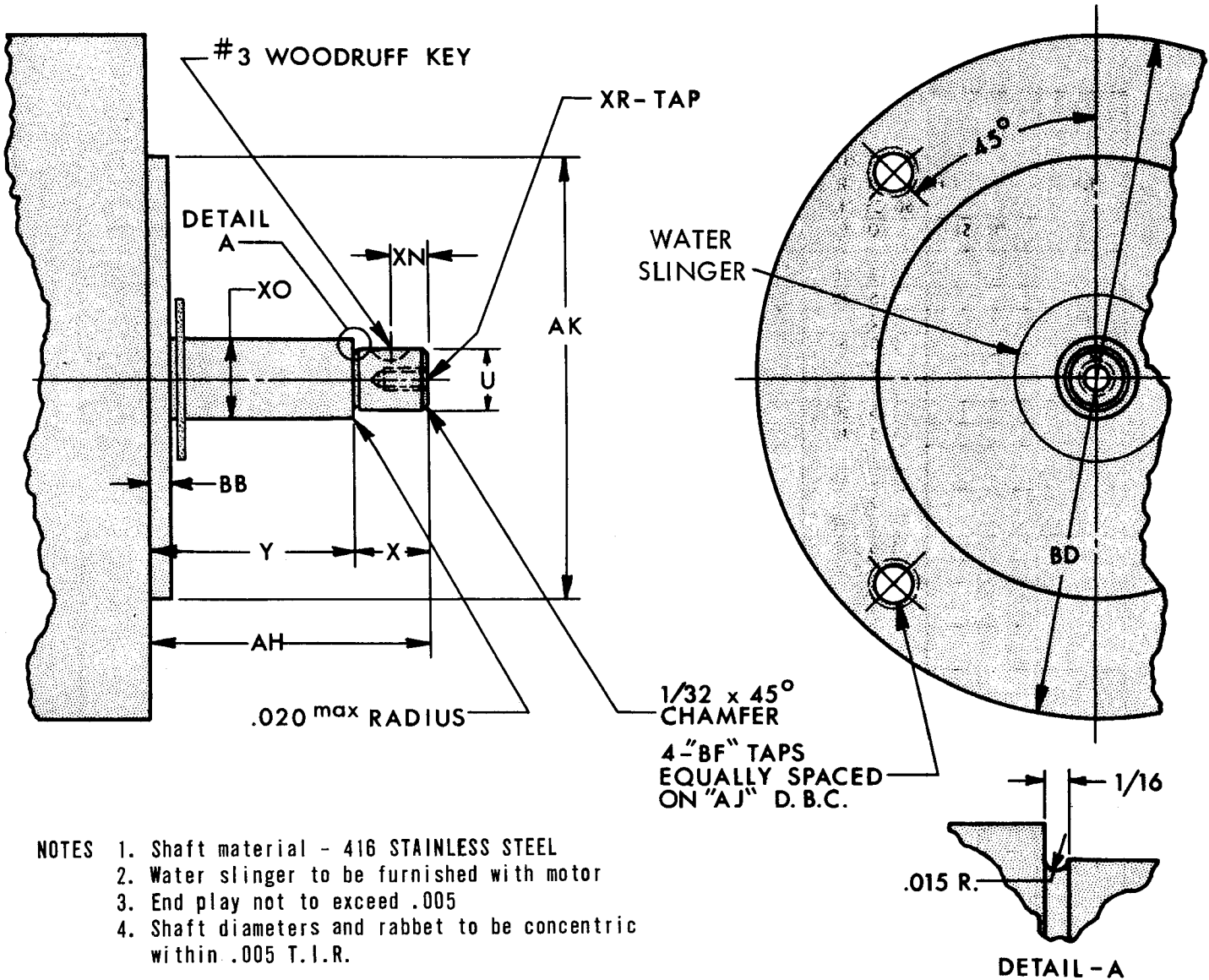
1 PHASE: 115-230 VOLTS

SUPERSEDES PAGE 73
DATED SEPTEMBER 1969

3 PHASE: 200 (ONLY) OR 230/460 VOLTS

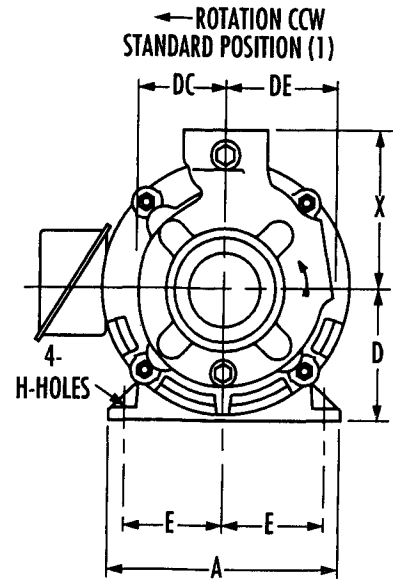
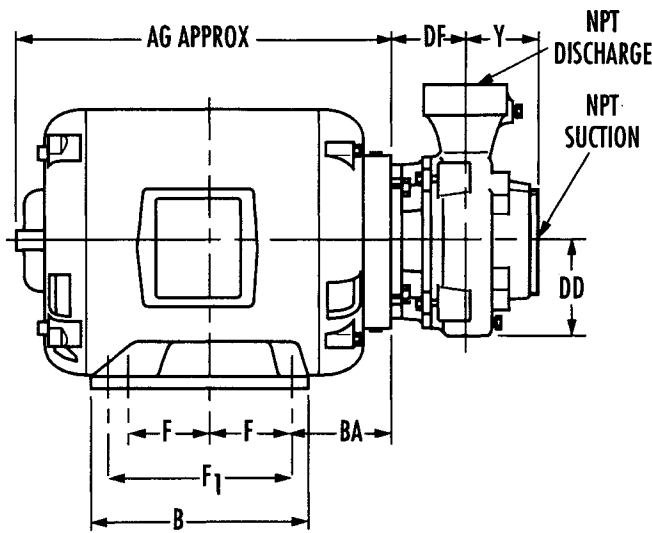
AURORA MOTOR FRAMES

| H.P. | ELECTRICAL CHARACTERISTICS 60 CYCLE | | | HORIZONTAL AND VERTICAL | | | |
|---------|--|---------|--------|-------------------------|-----------------------|------------------------|---------------------------------|
| | | | | OPEN DRIPPROOF FRAME | SERVICE FACTOR O.D.P. | TEFC & EXP PROOF FRAME | SERVICE FACTOR TEFC & EXP PROOF |
| | PHASE | VOLT | R.P.M. | | | | |
| 1/3 | 1 | 115-230 | 1750 | 56 | 1.35 | | |
| | 1 | 115-230 | 3500 | 56 | 1.60 | | |
| | 3 | 200 | 1750 | 56 | 1.35 | 56 | 1.0 |
| | | 230/460 | 1750 | | | | |
| | 3 | 200 | 3500 | 56 | 1.75 | 56 | 1.0 |
| 230/460 | | 3500 | | | | | |
| 1/2 | 1 | 115-230 | 1750 | 56 | 1.25 | 56 | 1.0 |
| | 1 | 115-230 | 3500 | 56 | 1.60 | 56 | 1.0 |
| | 3 | 200 | 1750 | 56 | 1.25 | 56 | 1.0 |
| | | 230/460 | 1750 | | | | |
| | 3 | 200 | 3500 | 56 | 1.60 | 56 | 1.0 |
| 230/460 | | 3500 | | | | | |
| 3/4 | 1 | 115-230 | 1750 | 56 | 1.25 | 56 | 1.0 |
| | 1 | 115-230 | 3500 | 56 | 1.50 | 56 | 1.0 |
| | 3 | 200 | 1750 | 56 | 1.25 | 56 | 1.0 |
| | | 230/460 | 1750 | | | | |
| | 3 | 200 | 3500 | 56 | 1.50 | 56 | 1.0 |
| 230/460 | | 3500 | | | | | |
| 1 | 1 | 115-230 | 1750 | 56 | 1.25 | 56 | 1.0 |
| | 1 | 115-230 | 3500 | 56 | 1.40 | 56 | 1.0 |
| | 3 | 200 | 1750 | 56 | 1.25 | 56 | 1.0 |
| | | 230/460 | 1750 | | | | |
| | 3 | 200 | 3500 | 56 | 1.40 | 56 | 1.0 |
| 230/460 | | 3500 | | | | | |
| 1-1/2 | 1 | 115-230 | 1750 | 145T | 1.15 | 145T | 1.0 |
| | 1 | 115-230 | 3500 | 56 | 1.40 | 56 | 1.0 |
| | 3 | 200 | 1750 | 56 | 1.20 | 56 | 1.0 |
| | | 230/460 | 1750 | | | | |
| | 3 | 200 | 3500 | 56 | 1.40 | 56 | 1.0 |
| 230/460 | | 3500 | | | | | |
| 2 | 1 | 115-230 | 1750 | 182T | 1.15 | 182T | 1.0 |
| | 1 | 115-230 | 3500 | 56 | 1.20 | 145T | 1.0 |
| | 3 | 200 | 1750 | 145T | 1.15 | 145T | 1.0 |
| | | 230/460 | 1750 | | | | |
| | 3 | 200 | 3500 | 56 | 1.20 | 145T | 1.0 |
| 230/460 | | 3500 | | | | | |
| 3 | 1 | 115-230 | 1750 | 184T | 1.15 | 184T | 1.0 |
| | 1 | 115-230 | 3500 | 182T | 1.15 | 182T | 1.0 |
| | 3 | 200 | 1750 | 182T | 1.15 | 182T | 1.0 |
| | | 230/460 | 1750 | | | | |
| | 3 | 200 | 3500 | 145T | 1.15 | 182T | 1.0 |
| 230/460 | | 3500 | | | | | |
| 5 | 3 | 200 | 1750 | 184T | 1.15 | 184T | 1.0 |
| | | 230/460 | 1750 | | | | |
| | 3 | 200 | 3500 | 182T | 1.15 | 184T | 1.0 |
| 230/460 | | 3500 | | | | | |
| 7-1/2 | 3 | 200 | 3500 | 184T | 1.15 | N.A. | 1.0 |
| | | 230/460 | 3500 | | | | |



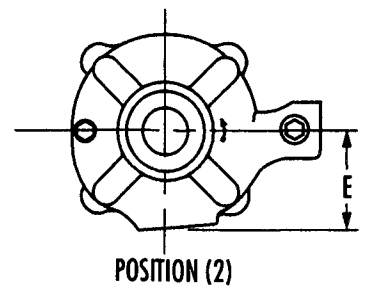
- NOTES
1. Shaft material - 416 STAINLESS STEEL
 2. Water slinger to be furnished with motor
 3. End play not to exceed .005
 4. Shaft diameters and rabbet to be concentric within .005 T.I.R.

| FRAME SIZE | U | X | Y | AH | AJ | AK | BB | BD | BF | XN | XO | XR |
|------------|-------|-------|-------|--------|-------|-------|-----|-------|------------------|------|-------|------------------|
| 56 | | | | | | | | | | | | |
| 145T | | | | | | | | | | | | |
| 182T | .5900 | 11/16 | 1-7/8 | 2-9/16 | 5-7/8 | 4.500 | 1/8 | 6-1/2 | 3/8-16 | 5/16 | .7500 | 1/4-28 |
| 184T | .5895 | | | | | 4.497 | | | N.C. 5/8 DEEP | | .7495 | N.F. 1/2 DEEP |

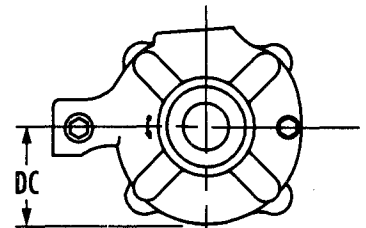


| FRAME | A | B | D | E | F | F1 | H | AG | BA |
|-------|-------|-------|-------|--------|-------|-------|------------|----|--------|
| 56 | 6-3/4 | 4 | 3-1/2 | 2-7/16 | 1-1/2 | — | 11/32 SLOT | 11 | 2-9/16 |
| 143T | 7 | 6 | 3-1/2 | 2-3/4 | 2 | — | 11/32 SLOT | 10 | 2-7/8 |
| 145T | 7 | 6 | 3-1/2 | 2-3/4 | 2-1/2 | — | 11/32 SLOT | 11 | 2-7/8 |
| 182T | 8-3/4 | 6-5/8 | 4-1/2 | 3-3/4 | 2-1/4 | — | 13/32 SLOT | 11 | 3-5/8 |
| 184T | 8-3/4 | 6-5/8 | 4-1/2 | 3-3/4 | — | 5-1/2 | 13/32 SLOT | 12 | 3-5/8 |

OPTIONAL DISCHARGE POSITIONS



POSITION (2)



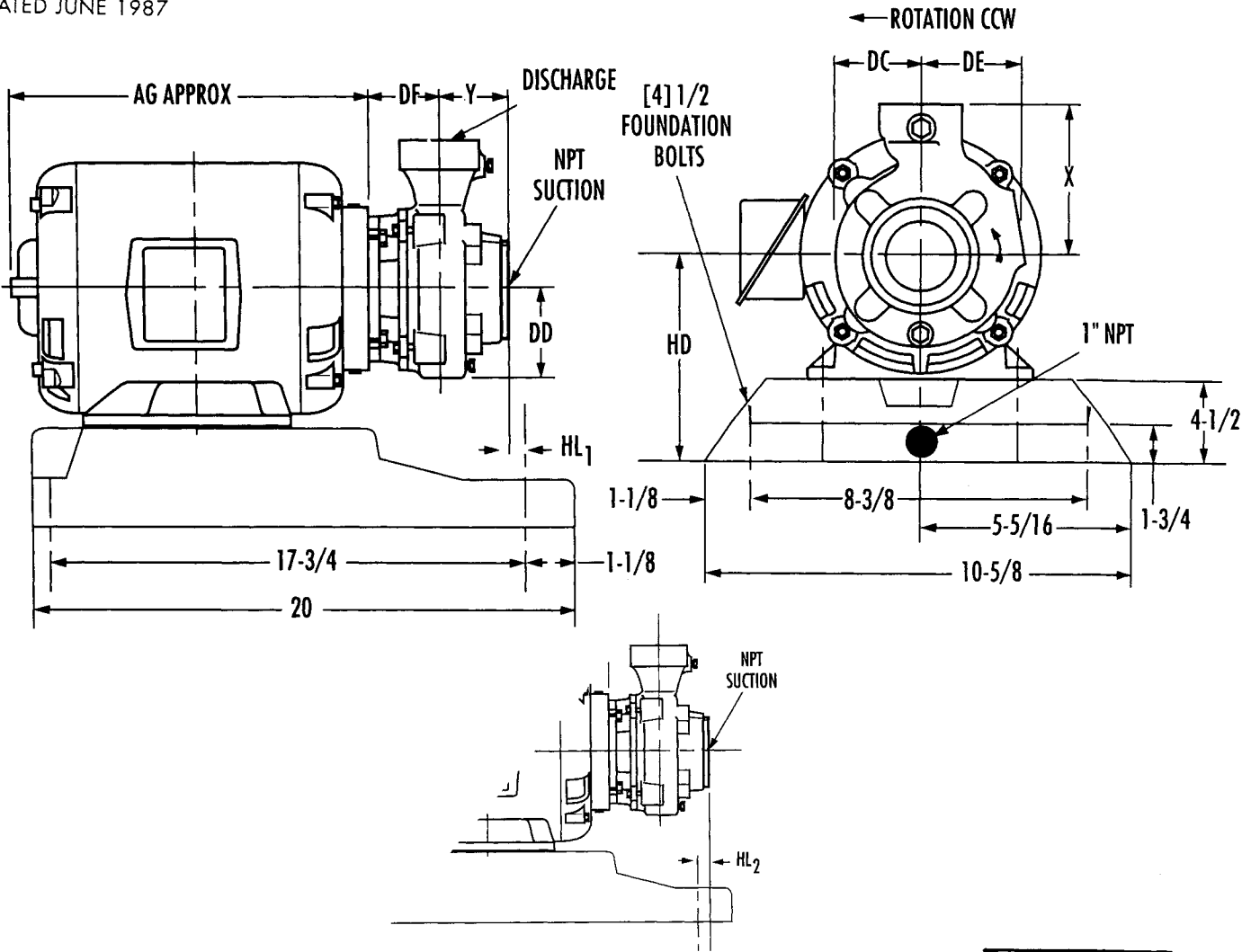
POSITION (4)

| PUMP SIZE | | | X | Y | DC | DD | DE | DF |
|-----------|-------|-----------|-------|---------|---------|---------|---------|---------|
| DISCH | SUCT | CASE BORE | | | | | | |
| 3/4 | 1 | 6 | 5 1/2 | 1 3/4 | 3 5/16 | 3 7/16 | 3 7/8 | 2 13/16 |
| 3/4 | 1 | 7 | 6 1/4 | 1 7/8 | 3 15/16 | 4 | 4 1/16 | 2 13/16 |
| 1 | 1 1/4 | 4 | 4 1/8 | 1 11/16 | 2 3/8 | 2 3/8 | 2 7/16 | 2 15/16 |
| 1 | 1 1/4 | 5 | 5 | 2 | 2 13/16 | 2 7/8 | 3 | 2 7/8 |
| 1 | 1 1/4 | 6 | 5 1/2 | 1 15/16 | 3 5/16 | 3 3/8 | 3 7/8 | 2 7/8 |
| 1 1/4 | 1 1/2 | 5 | 5 | 1 15/16 | 2 7/8 | 2 15/16 | 3 1/16 | 2 15/16 |
| 1 1/4 | 1 1/2 | 7A | 6 1/4 | 2 | 4 | 4 1/16 | 4 1/2 | 2 15/16 |
| 1 1/4 | 1 1/2 | 7B | 6 1/4 | 2 7/16 | 4 | 4 1/8 | 4 5/8 | 2 7/8 |
| 1 1/4 | 1 1/2 | 9 | 8 | 2 1/4 | 5 13/16 | 5 3/16 | 5 13/16 | 2 7/8 |
| 1 1/2 | 2 | 4 | 5 | 2 1/8 | 2 1/2 | 3 | 2 3/4 | 3 1/16 |
| 1 1/2 | 2 | 7 | 7 | 2 1/4 | 4 1/16 | 4 1/4 | 4 7/8 | 2 7/8 |
| 2 | 2 1/2 | 4 | 5 | 3 1/16 | 2 1/2 | 3 | 2 13/16 | 3 7/16 |
| 2 | 2 1/2 | 5 | 6 | 2 11/16 | 3 | 3 3/16 | 3 1/16 | 3 1/16 |
| 2 | 2 1/2 | 6 | 6 | 2 3/4 | 3 1/2 | 3 11/16 | 4 3/8 | 3 |
| 2 | 2 1/2 | 7 | 7 | 2 15/16 | 4 1/16 | 4 5/16 | 4 7/8 | 3 1/16 |
| 3 | 3 | 6 | 8 | 3 5/8 | 3 7/8 | 4 7/16 | 5 7/8 | 3 1/4 |

NOTES

1. ALL DIMENSIONS IN INCHES.
2. NOT FOR CONSTRUCTION PURPOSES UNLESS CERTIFIED.
3. CONDUIT BOX IS SHOWN IN APPROXIMATE LOCATION. CAPACITOR WHEN FURNISHED NORMALLY APPEARS ON TOP OF MOTOR. DIMENSIONS ARE NOT SPECIFIED AS THEY VARY WITH EACH MOTOR MANUFACTURER.
4. DIMENSIONS MAY VARY ± 1/4".
5. CHECK DISCHARGE POSITION, CASING DIMENSIONS WHICH EXCEED DIMENSION "D" MAY REQUIRE PADS FOR THE MOTOR.

AURORA MODEL 321 PUMPS ON CAST IRON BASES



| PUMP SIZE | | | X | Y | DC | DD | DE | DF | HL ₁ | HL ₂ |
|-----------|-------|-----------|-------|---------|---------|---------|---------|---------|-----------------|-----------------|
| DISCH | SUCT | CASE BORE | | | | | | | | |
| 3/4 | 1 | 6 | 5 1/2 | 1 3/4 | 3 5/16 | 3 7/16 | 3 7/8 | 2 13/16 | 1 7/16 | — |
| 3/4 | 1 | 7 | 6 1/4 | 1 7/8 | 3 15/16 | 4 | 4 7/16 | 2 13/16 | 1 5/16 | — |
| 1 | 1 1/4 | 4 | 4 1/8 | 1 11/16 | 2 3/8 | 2 3/8 | 2 7/16 | 2 15/16 | 1 3/8 | — |
| 1 | 1 1/4 | 5 | 5 | 2 | 2 13/16 | 2 7/8 | 3 | 2 7/8 | 1 1/8 | — |
| 1 | 1 1/4 | 6 | 5 1/2 | 1 15/16 | 3 5/16 | 3 3/8 | 3 7/8 | 2 7/8 | 1 3/16 | — |
| 1 1/4 | 1 1/2 | 5 | 5 | 1 15/16 | 2 7/8 | 2 15/16 | 3 7/16 | 2 15/16 | 1 1/8 | — |
| 1 1/4 | 1 1/2 | 7A | 6 1/4 | 2 | 4 | 4 1/16 | 4 1/2 | 2 15/16 | 1 1/16 | — |
| 1 1/4 | 1 1/2 | 7B | 6 1/4 | 2 7/16 | 4 | 4 1/8 | 4 5/8 | 2 7/8 | 1 1/16 | — |
| 1 1/4 | 1 1/2 | 9 | 8 | 2 1/4 | 5 13/16 | 5 3/16 | 5 13/16 | 2 7/8 | 7/8 | — |
| 1 1/2 | 2 | 4 | 5 | 2 1/8 | 2 1/2 | 3 | 2 3/4 | 3 1/16 | 1 3/16 | — |
| 1 1/2 | 2 | 7 | 7 | 2 1/4 | 4 1/16 | 4 1/4 | 4 7/8 | 2 7/8 | 7/8 | — |
| 2 | 2 1/2 | 4 | 5 | 3 1/16 | 2 1/2 | 3 | 2 13/16 | 3 7/16 | — | 1/2 |
| 2 | 2 1/2 | 5 | 6 | 2 11/16 | 3 | 3 3/16 | 3 7/16 | 3 1/16 | 1/4 | — |
| 2 | 2 1/2 | 6 | 6 | 2 3/4 | 3 1/2 | 3 11/16 | 4 3/8 | 3 | 1/4 | — |
| 2 | 2 1/2 | 7 | 7 | 2 15/16 | 4 1/16 | 4 5/16 | 4 7/8 | 3 1/16 | 0 | — |
| 3 | 3 | 6 | 8 | 3 5/8 | 3 3/8 | 4 7/16 | 5 7/8 | 3 1/4 | 1/8 | — |

| FRAME | AG | HD |
|-------|----|----|
| 56 | 11 | 8 |
| 143T | 10 | 8 |
| 145T | 11 | 8 |
| 182T | 11 | 9 |
| 184T | 12 | 9 |

NOTES

1. ALL DIMENSIONS IN INCHES.
2. NOT FOR CONSTRUCTION PURPOSES UNLESS CERTIFIED.
3. CONDUIT BOX IS SHOWN IN APPROXIMATE LOCATION. CAPACITOR WHEN FURNISHED NORMALLY APPEARS ON TOP OF MOTOR. DIMENSIONS ARE NOT SPECIFIED AS THEY VARY WITH EACH MOTOR MANUFACTURER.
4. DIMENSIONS MAY VARY ± 1/4".