

Section **340/360** Page **206** **AURORA MODEL 344A & 364A**

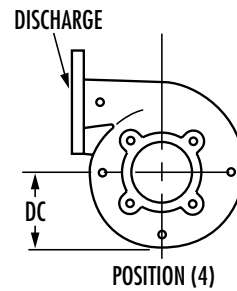
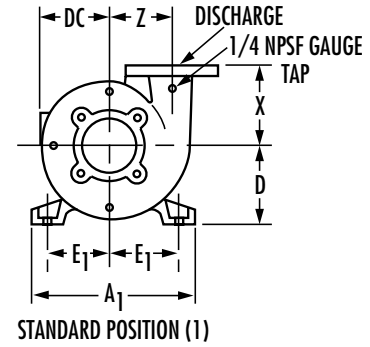
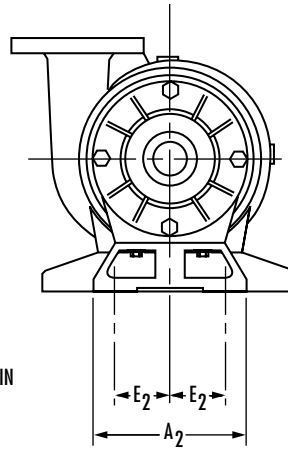
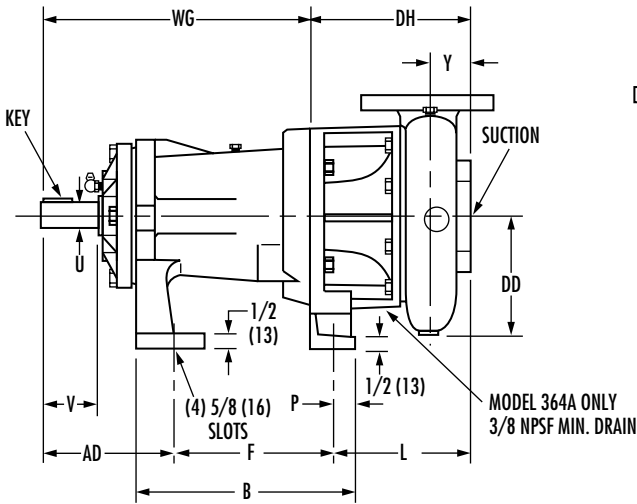
Dated **MARCH 2004**

PUMPS

7" - 9"

Supersedes Section 340/360 Page 206

Dated JANUARY 2003



FRAME	D CASE BORE	
	7	9
1	5-1/4 (133)	5-1/4 (133)
2	6-1/4 (158)	7 (177)
3	N/A	7 (177)

‡ 9" BORE MODEL 344A NO.1. POWER FRAME D = 6-1/4"

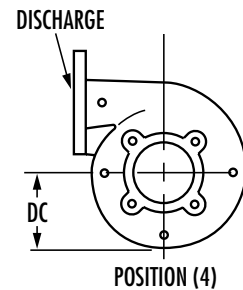
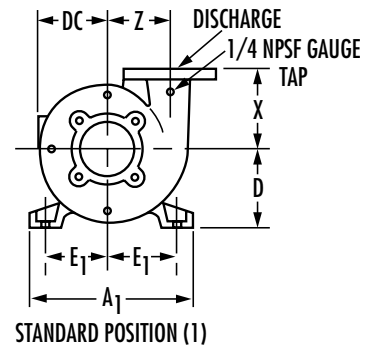
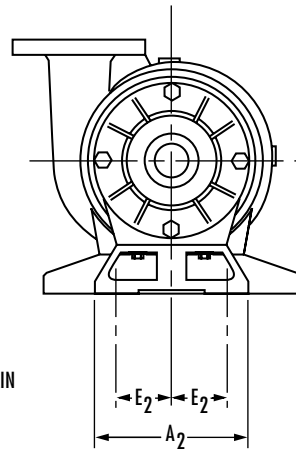
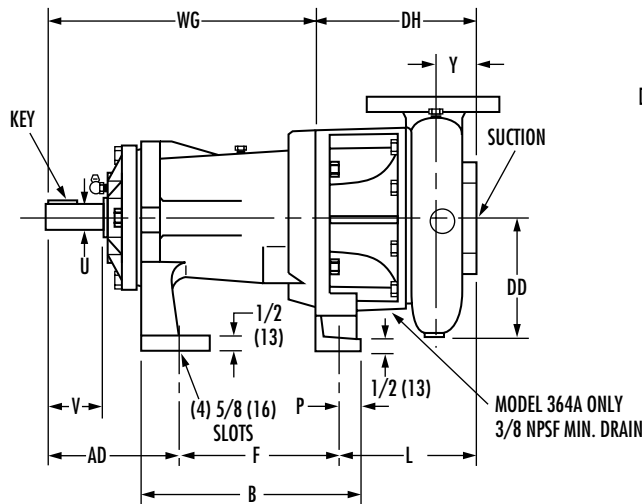
FRAME	A ₁	A ₂	344A		364A		E ₁	E ₂	344A		364A		P	U	V	AD	WG	KEY
			B	B	F	F												
1	10-3/4 (273)	7-3/8 (187)	8-1/16 (205)	9-5/16 (237)	4-1/8 (105)	2 5/8 (67)	5-13/16 (148)	7-1/16 (179)	1-5/16 (33)	7/8 (179)	2-1/8 (54)	5 1/8 (130)	10-5/16 (262)	3/16 SQ X 1-3/8 LG				
2	13-1/4 (337)	7 (178)	10-25/32 (274)	12 (305)	5-1/8 (130)	2 1/2 (64)	7-13/32 (188)	8-21/32 (220)	3/4 (19)	1-1/8 (29)	3-1/8 (79)	7-11/16 (195)	13-13/16 (351)	1/4 SQ X 1-3/4 LG				
3	13-1/4 (337)	7 (178)	10-25/32 (274)	12 (305)	5-1/8 (130)	2 1/2 (64)	7-13/32 (188)	8-21/32 (220)	3/4 (19)	1-1/8 (29)	3-1/8 (79)	7-11/16 (195)	13-13/16 (351)	1/4 SQ X 1-3/4 LG				

PUMPS WITH THREADED CONNECTIONS																
PUMP SIZE			X	Y	Z	DC	DD	344 DH		364 DH		344A L		364A L		
DISCHARGE	SUCTION	CASE BORE						FRAME 1	FRAME 2 & 3	FRAME 1	FRAME 2 & 3	FRAME 1	FRAME 2 & 3	FRAME 1	FRAME 2 & 3	FRAME 1
1-1/4	1-1/2	7	5-1/4 (133)	2-7/16 (62)	4-3/16 (106)	4-15/16 (125)	5-3/16 (132)	7-3/16 (183)	N/A	10-1/4 (260)	N/A	7-9/16 (192)	N/A	9-3/8 (238)	N/A	
1-1/4	1-1/2	9	6-5/8 (168)	2-9/16 (65)	5-3/8 (137)	6-3/16 (157)	6-3/8 (162)	7-1/4 (184)	N/A	10-5/16 (262)	N/A	7-5/8 (194)	N/A	9-7/16 (240)	N/A	
1-1/2	2	7	5-3/8 (137)	2-1/2 (64)	4-5/16 (110)	5-1/8 (130)	5-3/8 (137)	7-5/16 (186)	N/A	10-3/8 (264)	N/A	7-11/16 (195)	N/A	9-1/2 (241)	N/A	
1-1/2	2	9	6-3/4 (171)	2-5/8 (67)	5-1/2 (140)	6-5/16 (160)	6-9/16 (167)	7-3/8 (187)	8-3/8 (213)	10-7/16 (265)	11-1/4 (286)	7-3/4 (197)	7-1/8 (181)	9-9/16 (243)	8-3/4 (222)	
PUMPS-WITH-ANSI-125-LB.-FLANGED-CONNECTIONS																
2	2-1/2	7	5-5/8 (143)	1-7/8 (48)	4-9/16 (116)	5-3/8 (137)	5-13/16 (148)	6-13/16 (173)	7-13/16 (198)	9-7/8 (251)	10-11/16 (271)	6-3/16 (157)	6-9/16 (167)	8 (203)	8-3/16 (208)	
2	2-1/2	9	7 (178)	1-7/8 (48)	5-11/16 (144)	6-1/2 (165)	6-7/8 (175)	6-3/4 (171)	7-3/4 (197)	9-13/16 (249)	10-5/8 (270)	6-1/8 (156)	6-1/8 (156)	7-15/16 (202)	8-1/8 (206)	
2-1/2	3	7	5-7/8 (149)	2 (51)	4-13/16 (122)	5-13/16 (148)	6-1/4 (159)	7-1/16 (179)	8-1/16 (205)	10-1/8 (257)	10-15/16 (278)	6-7/16 (164)	6-13/16 (173)	8-1/4 (210)	8-7/16 (214)	
2-1/2	3	9	7-1/4 (184)	2 (51)	5-15/16 (151)	6-3/4 (171)	7-1/4 (184)	7	8 (203)	N/A	10-7/8 (276)	6-3/8 (162)	6-3/4 (171)	N/A	8-3/8 (213)	
3	4	9	7-1/2 (191)	2-1/8 (54)	6-1/8 (156)	6-7/8 (175)	7-7/16 (189)	7-1/4 (184)	8-1/4 (210)	N/A	11-1/8 (283)	6-5/8 (168)	7 (178)	N/A	8-5/8 (219)	
4	4	7	6-1/2 (165)	2-1/2 (64)	5-1/2 (140)	6-7/16 (164)	7-5/16 (186)	7-15/16 (202)	8-15/16 (227)	11 (279)	11-13/16 (300)	7-5/16 (186)	7-11/16 (195)	9-1/8 (232)	9-5/16 (237)	
4	5	9A	7-1/4 (184)	3-1/8 (79)	5-3/4 (146)	6-11/16 (170)	7-3/8 (187)	N/A	9-3/8 (238)	N/A	12-1/4 (311)	N/A	8-1/8 (206)	N/A	9-3/4 (248)	
4	5	9B	7-3/4 (197)	2-5/8 (67)	6-5/8 (168)	8-1/16 (205)	8-11/16 (221)	N/A	9 (229)	N/A	11-7/8 (302)	N/A	7-3/4 (197)	N/A	9-3/8 (238)	
6	6	9	8-1/4 (210)	2-3/4 (70)	7 (178)	8 (203)	9 (229)	N/A	9-1/4 (235)	N/A	12-1/8 (308)	N/A	8 (203)	N/A	9-5/8 (244)	

- NOTES:
- All dimensions in inches and (mm).
 - Dimensions may vary ± 1/4 (6).
 - Not for construction purposes unless certified.
 - N/A = Not Applicable.
 - Check discharge position, casing dimensions which exceed dimension "D" may require pads for the pump and/or motor.

AURORA MODEL 344A & 364A PUMPS

11" - 12"



FRAME	D CASE BORE	
	11	12
2	7 (177)	7 (177)
3	7 (177)	7 (177)

FRAME	A ₁	A ₂	344A	364A	E ₁	E ₂	344A	364A	P	U	V	AD	WG	KEY
			B	B			F	F						
2	13-1/4 (337)	7 (178)	10-25/32 (274)	12 (305)	5-1/8 (130)	2-1/2 (64)	7-13/32 (188)	8-21/32 (220)	3/4 (19)	1-1/8 (29)	3-1/8 (79)	7-11/16 (195)	13-13/16 (351)	1/4 SQ X 1-3/4 LG
3	13-1/4 (337)	7 (178)	10-25/32 (274)	12 (305)	5-1/8 (130)	2-1/2 (64)	7-13/32 (188)	8-21/32 (220)	3/4 (19)	1-1/8 (29)	3-1/8 (79)	7-11/16 (195)	13-13/16 (351)	1/4 SQ X 1-3/4 LG

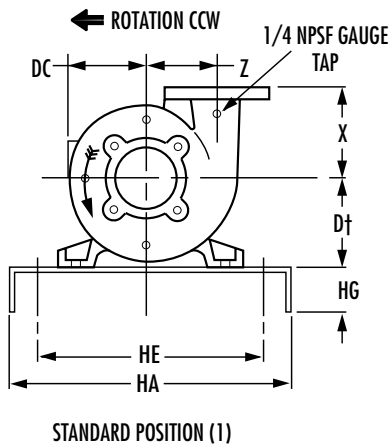
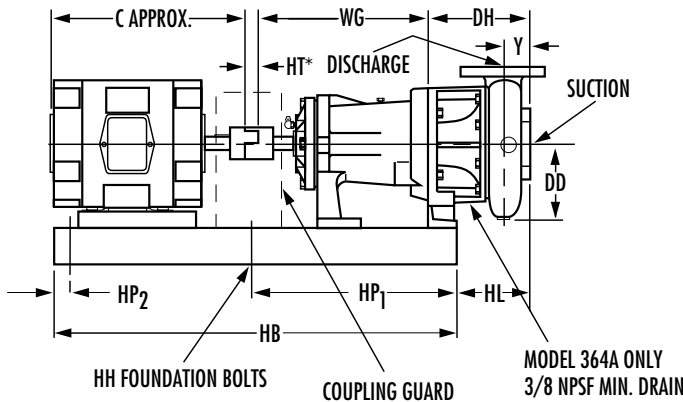
PUMPS WITH THREADED CONNECTIONS															
PUMP SIZE			X	Y	Z	DC	DD	344 DH		364 DH		344A L		364A L	
DISCHARGE	SUCTION	CASE BORE						FRAME 1	FRAME 2 & 3	FRAME 1	FRAME 2 & 3	FRAME 1	FRAME 2 & 3	FRAME 1	FRAME 2 & 3
1-1/2	2	11	9 (229)	2-13/16 (71)	6-1/8 (156)	7-1/16 (179)	7-1/4 (184)	N/A	8-9/16 (217)	N/A	11-7/16 (291)	N/A	7-1/4 (184)	N/A	8-7/8 (225)
1-1/2	2	12	7-3/4 (197)	2-3/4 (70)	7-1/16 (179)	8 (203)	8-1/4 (210)	N/A	8-5/8 (219)	N/A	11-1/2 (292)	N/A	7-3/8 (187)	N/A	9 (229)

PUMPS WITH ANSI 125 LB. FLANGED CONNECTIONS															
DISCHARGE	SUCTION	CASE BORE	X	Y	Z	DC	DD	344 DH	364 DH	344A L	364A L	344A L	364A L	344A L	364A L
2	2-1/2	12	8 (203)	1-7/8 (48)	7-3/16 (183)	8-3/16 (208)	8-1/2 (216)	N/A	7-7/8 (200)	N/A	10-3/4 (273)	N/A	6-5/8 (168)	N/A	8-1/4 (210)
2	3	11	8 (203)	2-3/8 (60)	6-1/2 (165)	7 (178)	7-3/8 (187)	N/A	8-1/2 (216)	N/A	11-3/8 (289)	N/A	6-15/16 (176)	N/A	9-15/16 (252)
2-1/2	3	12	8-1/4 (210)	2 (51)	7-3/8 (187)	8-3/8 (213)	8-3/4 (222)	N/A	8-1/8 (206)	N/A	11 (279)	N/A	6-7/8 (175)	N/A	8-1/2 (216)
3	4	11	9 (229)	2-3/4 (70)	7 (178)	7-9/16 (192)	8-3/16 (208)	N/A	9-3/16 (233)	N/A	12-1/16 (306)	N/A	7-9/16 (192)	N/A	9-9/16 (243)
3	4	12	8-1/2 (216)	2-1/8 (54)	7-9/16 (192)	8-7/16 (214)	8-15/16 (227)	N/A	8-3/8 (213)	N/A	11-1/4 (286)	N/A	7-1/8 (181)	N/A	8-3/4 (222)
4	5	11	9 (229)	3 (76)	7-1/4 (184)	7-15/16 (202)	8-11/16 (221)	N/A	9-5/8 (244)	N/A	12-1/2 (318)	N/A	8 (203)	N/A	10 (254)
4	5	12	8-3/4 (222)	2-5/8 (67)	7-15/16 (202)	8-7/8 (225)	9-9/16 (243)	N/A	9-1/8 (232)	N/A	12 (305)	N/A	7-7/8 (200)	N/A	9-1/2 (241)
5	6	11	9 (229)	3-1/8 (79)	8-1/16 (205)	8-11/16 (221)	10-1/8 (257)	N/A	10-1/8 (257)	N/A	13 (330)	N/A	8-1/2 (216)	N/A	10-1/2 (267)
5	6	12	9 (229)	2-7/8 (73)	8-5/16 (211)	9-1/4 (235)	10-1/8 (257)	N/A	9-5/8 (244)	N/A	12-1/2 (318)	N/A	8-3/8 (213)	N/A	10 (254)
6	6	11	9-1/4 (235)	3-1/8 (79)	8-11/16 (221)	9-11/16 (246)	10-13/16 (275)	N/A	10-1/8 (257)	N/A	13 (330)	N/A	8-7/8 (225)	N/A	10-1/2 (267)
6	6	12	9-1/4 (235)	3-1/8 (79)	8-11/16 (221)	9-11/16 (246)	10-13/16 (275)	N/A	10-1/8 (257)	N/A	13 (330)	N/A	8-7/8 (225)	N/A	10-1/2 (267)

NOTES:

- All dimensions in inches and (mm).
- Dimensions may vary ± 1/4 (6).
- Not for construction purposes unless certified.
- N/A = Not Applicable.
- Check discharge position, casing dimensions which exceed dimension "D" may require pads for the pump and/or motor.

AURORA MODEL 344A & 364A PUMPS ON STEEL BASES



BASE	SIZE	HA	HB	HE	HG	HH		HP ₁	HP ₂
						QTY	SIZE		
1	12 X 30	12	30	9	3	2	5/8	15	-
2	17 X 34	17	34	15	3	4	5/8	1-1/4	1-1/4
3	18 X 38	18	38	16	4	4	5/8	1-1/4	1-1/4
4	18 X 42	18	42	16	4	4	5/8	1-1/4	1-1/4
5	18 X 44	18	44	15	4	4	5/8	1	1
6	18 X 48	18	48	15	4	4	5/8	1	1
7	22 X 60	22	60	19	4	4	5/8	1	1

D	POWER FRAME	BASE NUMBER			
		1	2	340 3	360 3
	WG	10-5/16	13-13/16	13-13/16	13-13/16
340 CASE BORE	7	5-1/4	6-1/4	-	-
	9	6-1/4	7	7	7
	11	-	7	7	7
	12	-	7	7	7
360 CASE BORE	7	5-1/4	6-1/4	-	-
	9	5-1/4	7	7	7
	11	-	7	7	7
	12	-	7	7	7

MOTOR FRAME	C APPROX	D	BASE NUMBER			
56	12		1	N/A	N/A	N/A
143T	12		1	N/A	N/A	N/A
145T	13		1	3	N/A	N/A
182T	13		1	3	N/A	N/A
184T	14		1	3	N/A	N/A
213T	16	5-1/4	2	3	N/A	3
215T	18	5-1/4	2	3	N/A	3
254T	21	6-1/4	3	4	4	4
256T	23	6-1/4	N/A	4	4	4
284T	24	7	N/A	5	5	5
284TS	22	7	N/A	5	5	5
286T	25	7	N/A	5	5	5
286TS	24	7	N/A	5	5	5
324T	26	8	N/A	6	6	6
324TS	25	8	N/A	6	6	6
326T	28	8	N/A	6	6	6
326TS	26	8	N/A	6	6	6
364T	29	9	N/A	6	6	6
364TS	27	9	N/A	6	6	6
365TS	28	9	N/A	6	6	6
404TS	30	10	N/A	7	7	7

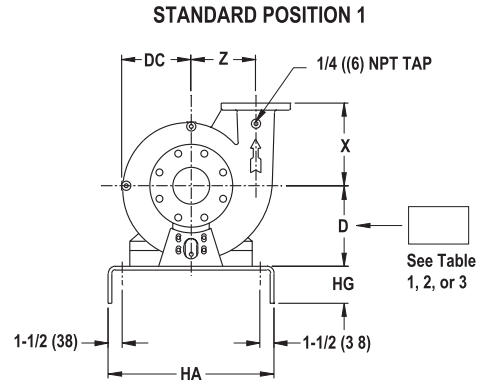
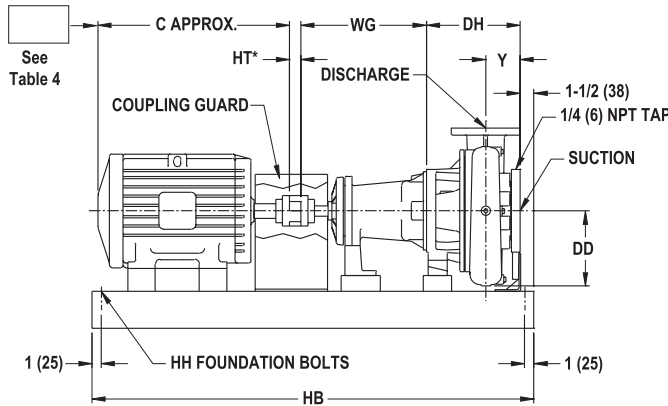
PUMPS WITH THREADED CONNECTIONS																	
PUMP SIZE		CASE BORE	X	Y	Z	DC	DD	344A DH		364A DH		344A HL			364A HL		
DISCH	SUCT							FRAME 1	FRAME 2 & 3	FRAME 1	FRAME 2 & 3	FRAME 1	FRAME 2	FRAME 3	FRAME 1	FRAME 2	FRAME 3
1-1/4	1-1/2	7	5-1/4	2-7/16	4-3/16	4-15/16	5-3/16	7-3/16	N/A	10-1/4	N/A	4-11/16	N/A	N/A	6-1/2	N/A	N/A
1-1/4	1-1/2	9	6-5/8	2-9/16	5-3/8	6-3/16	6-3/8	7-1/4	N/A	10-5/16	N/A	4-3/4	N/A	N/A	6-9/16	N/A	N/A
1-1/2	2	7	5-3/8	2-1/2	4-5/16	5-1/8	5-3/8	7-5/16	N/A	10-3/8	N/A	4-13/16	N/A	N/A	6-5/8	N/A	N/A
1-1/2	2	9	6-3/4	2-5/8	5-1/2	6-5/16	6-9/16	7-3/8	8-3/8	10-7/16	11-1/4	4-7/8	6-3/8	N/A	6-11/16	8	N/A
1-1/2	2	11	9	2-13/16	6-1/8	7-1/16	7-1/4	N/A	8-9/16	N/A	11-7/16	N/A	6-1/2	N/A	N/A	8-1/8	N/A
1-1/2	2	12	7-3/4	2-3/4	7-1/16	8	8-1/4	N/A	8-5/8	N/A	11-1/2	N/A	6-5/8	N/A	N/A	8-1/4	8-1/4

PUMPS WITH ANSI 125 LB FLANGED CONNECTIONS																	
DISCH	SUCT	CASE BORE	X	Y	Z	DC	DD	344A DH	364A DH	344A HL	364A HL	344A HL	364A HL	344A HL	364A HL	344A HL	364A HL
2	2-1/2	7	5-5/8	1-7/8	4-9/16	5-3/8	5-13/16	6-13/16	7-13/16	9-7/8	10-11/16	4-5/16	5-13/16	N/A	6-1/8	7-7/16	N/A
2	2-1/2	9	7	1-7/8	5-11/16	6-1/2	6-7/8	6-3/4	7-3/4	9-13/16	10-5/8	4-1/4	N/A	5-3/4	6-1/16	N/A	7-3/8
2	2-1/2	12	8	1-7/8	7-3/16	8-3/16	8-1/2	N/A	7-7/8	N/A	10-3/4	N/A	5-7/8	N/A	N/A	7-1/2	N/A
2	3	11	8	2-3/8	6-1/2	7	7-3/8	N/A	8 1/2	N/A	11-3/8	N/A	6-3/16	N/A	N/A	7-13/16	N/A
2-1/2	3	7	5-7/8	2	4-13/16	5-13/16	6-1/4	7-1/16	8-1/16	10-1/8	10-15/16	4-9/16	6-1/16	N/A	6-3/8	7-11/16	N/A
2-1/2	3	9	7-1/4	2	5-15/16	6-3/4	7-1/4	7	8	N/A	10-7/8	4-1/2	N/A	6	N/A	7-5/8	7-5/8
2-1/2	3	12	8-1/4	2	7-3/8	8-3/8	8-3/4	N/A	8-1/8	N/A	11	N/A	6-1/8	N/A	N/A	7-3/4	7-3/4
3	4	9	7-1/2	2-1/8	6-1/8	6-7/8	7-7/16	7-1/4	8-1/4	N/A	11-1/8	4-3/4	6-1/4	6-1/4	N/A	7-7/8	7-7/8
3	4	11	9	2-3/4	7	7-9/16	8-3/16	N/A	9-3/16	N/A	12-1/16	N/A	6-13/16	N/A	N/A	8-7/16	N/A
3	4	12	8-1/2	2-1/8	7-9/16	8-7/16	8-15/16	N/A	8-3/8	N/A	11-1/4	N/A	6-3/8	6-3/8	N/A	8	8
4	4	7	6-1/2	2-1/2	5-1/2	6-7/16	7-5/16	7-15/16	8-15/16	11	11-13/16	5-7/16	6-15/16	N/A	7-1/4	8-9/16	N/A
4	5	9A	7-1/4	3-1/8	5-3/4	6-11/16	7-3/8	N/A	9-3/8	N/A	12-1/4	N/A	7-3/8	7-3/8	N/A	9	9
4	5	9B	7-3/4	2-5/8	6-5/8	8-1/16	8-11/16	N/A	9	N/A	11-7/8	N/A	7	N/A	N/A	8-5/8	N/A
4	5	11	9	3	7-1/4	7-15/16	8-11/16	N/A	9-5/8	N/A	12-1/2	N/A	7-1/4	N/A	N/A	8-7/8	N/A
4	5	12	8-3/4	2-5/8	7-15/16	8-7/8	9-9/16	N/A	9-1/8	N/A	12	N/A	7-1/8	7-1/8	N/A	8-3/4	8-3/4
5	6	11	9	3-1/8	8-1/16	8-11/16	10-1/8	N/A	10-1/8	N/A	13	N/A	7-3/4	7-3/4	N/A	9-3/8	9-3/8
5	6	12	9	2-7/8	8-5/16	9-1/4	10-1/8	N/A	9-5/8	N/A	12-1/2	N/A	7-5/8	7-5/8	N/A	9-1/4	9-1/4
6	6	9	8-1/4	2-3/4	7	8	9	N/A	9-1/4	N/A	12-1/8	N/A	7-1/4	N/A	N/A	8-7/8	N/A
6	6	11	9-1/4	3-1/8	8-11/16	9-11/16	10-13/16	N/A	10-1/8	N/A	13	N/A	8-1/8	8-1/8	N/A	9-3/4	9-3/4
6	6	12	9-1/4	3-1/8	8-11/16	9-11/16	10-13/16	N/A	10-1/8	N/A	13	N/A	8-1/8	8-1/8	N/A	9-3/4	9-3/4

- NOTES:
- All dimensions in inches.
 - Dimensions may vary ± 1/4.
 - Not for construction purposes unless certified.
 - N/A = not applicable.
 - Check discharge position. Casing dimensions which exceed dimension "D" may require pads for the pump and/or motor.
 - Conduit box is shown in approximate location. Dimensions are not specified as they vary with each motor manufacturer
 - Dim "HT" may vary 1/8" TO 1".
 - D Dimension of 5 x 6 x 11, 5 x 6 x 12, 6 x 6 x 11 and 6 x 6 x 12 pump with 213T thru 326T motor is 8".

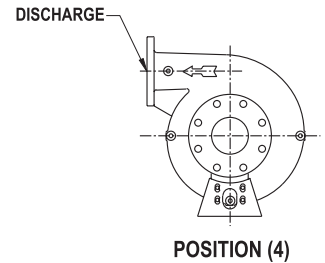
AURORA MODEL 344A PUMPS

FORMED STEEL BASE WITH OPTIONAL CASING FOOT



MODEL 344A ILLUSTRATED

PUMPS WITH FLANGE SUCTION CONNECTIONS AND THREADED DISCHARGE CONNECTIONS									
PUMP SIZE			X	Y	Z	DC	DD	FRAME 1 DH	FRAME 2 & 3 DH
DISCHARGE	SUCTION	CASE BORE							
1-1/4	1-1/2	7	5-1/4 (133)	3-3/8 (86)	4-3/16 (106)	4-15/16 (125)	5-3/16 (132)	8-1/8 (206)	N/A
1-1/4	1-1/2	9	6-5/8 (168)	3-1/2 (89)	5-3/8 (137)	6-3/16 (157)	6-3/8 (162)	8-3/16 (208)	N/A
1-1/2	2	7	5-3/8 (137)	3-7/16 (87)	4-5/16 (110)	5-1/8 (130)	5-3/8 (137)	8-1/4 (210)	N/A
1-1/2	2	9	6-3/4 (171)	3-9/16 (90)	5-1/2 (140)	6-5/16 (160)	6-9/16 (167)	8-5/16 (211)	9-5/16 (237)
1-1/2	2	12	7-3/4 (197)	3-11/16 (94)	7-1/16 (179)	8 (203)	8-1/4 (210)	N/A	9-5/16 (237)
PUMPS WITH ANSI 125 LB. FLANGED CONNECTIONS									
2	2-1/2	7	5-5/8 (143)	2-13/16 (71)	4-9/16 (116)	5-3/8 (137)	5-13/16 (148)	7-3/4 (197)	8-3/4 (222)
2	2-1/2	9	7 (178)	2-13/16 (71)	5-11/16 (144)	6-1/2 (165)	6-7/8 (175)	7-11/16 (195)	8-11/16 (221)
2	2-1/2	12	8 (203)	2-13/16 (71)	7-3/16 (183)	8-3/16 (208)	8-1/2 (216)	N/A	8-13/16 (224)
2	3	11	8 (203)	3-5/16 (84)	6-1/2 (165)	7 (178)	7-3/8 (187)	N/A	9-7/16 (240)
2-1/2	3	7	5-7/8 (149)	2-15/16 (75)	4-13/16 (122)	5-13/16 (148)	6-1/4 (159)	8 (203)	9 (229)
2-1/2	3	9	7-1/4 (184)	2-15/16 (75)	5-15/16 (151)	6-3/4 (171)	7-1/4 (184)	7-15/16 (202)	8-15/16 (227)
2-1/2	3	12	8-1/4 (210)	2-15/16 (75)	7-3/8 (187)	8-3/8 (213)	8-3/4 (222)	N/A	9-1/16 (230)
3	4	9	7-1/2 (191)	3-1/16 (78)	6-1/8 (156)	6-7/8 (175)	7-7/16 (189)	8-3/16 (208)	9-3/16 (233)
3	4	11	9 (229)	3-11/16 (94)	7 (178)	7-9/16 (192)	8-3/16 (208)	N/A	10-1/8 (257)
3	4	12	8-1/2 (216)	3-1/16 (78)	7-9/16 (192)	8-7/16 (214)	8-15/16 (227)	N/A	9-5/16 (237)
4	4	7	6-1/2 (165)	3-7/16 (87)	5-1/2 (140)	6-7/16 (164)	7-5/16 (186)	8-7/8 (225)	9-7/8 (251)
4	5	9A	7-1/4 (184)	4-1/16 (103)	5-3/4 (146)	6-11/16 (170)	7-3/8 (187)	N/A	10-5/16 (262)
4	5	9B	7-3/4 (197)	3-9/16 (90)	6-5/8 (168)	8-1/16 (205)	8-11/16 (221)	N/A	9-15/16 (252)
4	5	11	9 (229)	3-15/16 (100)	7-1/4 (184)	7-15/16 (202)	8-11/16 (221)	N/A	10-9/16 (268)
4	5	12	8-3/4 (222)	3-9/16 (90)	7-15/16 (202)	8-7/8 (225)	9-9/16 (243)	N/A	10-1/16 (256)
5	6	11	9 (229)	4-1/8 (105)	8-1/16 (205)	8-11/16 (221)	10-1/8 (257)	N/A	11-1/8 (283)
5	6	12	9 (229)	3-7/8 (98)	8-5/16 (211)	9-1/4 (235)	10-1/8 (257)	N/A	10-5/8 (270)
6	6	9	8-1/4 (210)	3-3/4 (95)	7 (178)	8 (203)	9 (229)	N/A	10-1/4 (260)
6	6	11	9-1/4 (235)	4-1/8 (105)	8-11/16 (221)	9-11/16 (246)	10-13/16 (275)	N/A	11-1/8 (283)
6	6	12	9-1/4 (235)	4-1/8 (105)	8-11/16 (221)	9-11/16 (246)	10-13/16 (275)	N/A	11-1/8 (283)



BASE	HA	HB	HG	HH
1	12 (304)	34 (863)	3 (76)	1/2 (12)
2	12 (304)	38 (965)	3 (76)	1/2 (12)
3	13 (330)	42 (1066)	4 (102)	5/8 (15)
4	15 (381)	38 (965)	3-3/8 (857)	5/8 (15)
5	15 (381)	44 (1117)	3-3/8 (857)	5/8 (15)
6	15 (381)	52 (1320)	4-1/8 (104)	5/8 (15)
7	18 (457)	54 (1371)	4 (102)	5/8 (15)
8	22 (558)	54 (1371)	4 (102)	5/8 (15)
9	22 (558)	60 (1524)	4 (102)	5/8 (15)

NOTES:

- All dimensions in inches (mm).
 - Dimensions may vary ± 1/4" (6).
 - Not for construction purposes unless certified.
 - N/A = not applicable.
 - Conduit box is shown in approximate location. Dimensions are not specified as they vary with each motor manufacturer.
- * Dimension "HT" may vary 1/8" (3) to 1" (25).

Supersedes Section 340A Page 256
Dated October 1993

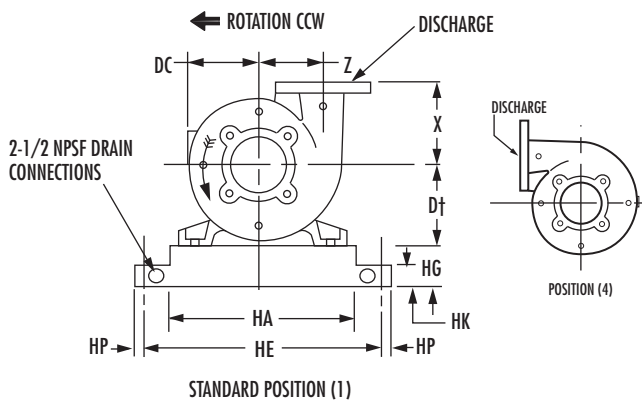
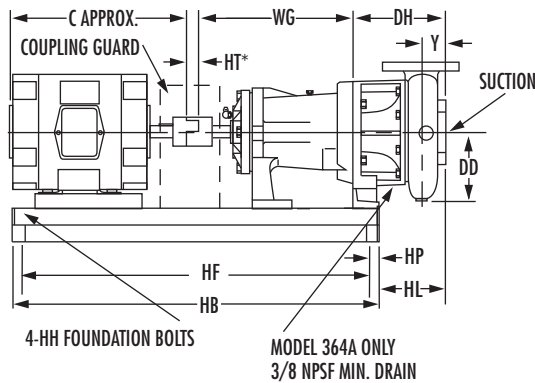
MOTOR FRAME	C	MOTOR FRAME	C
56C	12 (304)	284TS	22 (558)
143T	12 (304)	286T	25 (635)
145T	13 (330)	286TS	24 (609)
182T	13 (330)	324T	26 (660)
184T	14 (355)	324TS	25 (635)
213T	16 (406)	326T	28 (711)
215T	18 (457)	326TS	26 (660)
254T	21 (533)	364TS	27 (685)
256T	23 (584)	365TS	28 (711)
284T	24 (609)	404TS	30 (762)

DISCHARGE	SUCTION	CASE BORE	BASE	FRAME 56C D	BASE	FRAME 143T-145T D	BASE	FRAME 182T-184T D	BASE	FRAME 213T-215T D	BASE	FRAME 254T D
1-1/4	1-1/2	7	1	6-3/4 (171)	1	6-3/4 (171)	1	6-3/4 (171)	2	6-3/4 (171)	3	6-3/4 (171)
1-1/4	1-1/2	9	1	6-3/4 (171)	1	6-3/4 (171)	1	6-3/4 (171)	2	6-3/4 (171)	3	6-3/4 (171)
1-1/2	2	7	1	6-3/4 (171)	1	6-3/4 (171)	1	6-3/4 (171)	2	6-3/4 (171)	3	6-3/4 (171)
1-1/2	2	9	1	6-3/4 (171)	1	6-3/4 (171)	1	6-3/4 (171)	2	6-3/4 (171)	3	6-3/4 (171)
2	2-1/2	7	1	7-1/2 (191)	1	7-1/2 (191)	1	7-1/2 (191)	2	7-1/2 (191)	3	7-1/2 (191)
2	2-1/2	9	1	7-1/2 (191)	1	7-1/2 (191)	1	7-1/2 (191)	2	7-1/2 (191)	3	7-1/2 (191)
2-1/2	3	7	1	7-1/2 (191)	1	7-1/2 (191)	1	7-1/2 (191)	2	7-1/2 (191)	3	7-1/2 (191)
2-1/2	3	9	1	7-1/2 (191)	1	7-1/2 (191)	1	7-1/2 (191)	2	7-1/2 (191)	3	7-1/2 (191)
3	4	9	1	8-1/4 (210)	1	8-1/4 (210)	1	8-1/4 (210)	2	8-1/4 (210)	3	8-1/4 (210)
4	4	7	1	8-1/4 (210)	1	8-1/4 (210)	2	8-1/4 (210)	2	8-1/4 (210)	3	8-1/4 (210)

DISCHARGE	SUCTION	CASE BORE	BASE	FRAME 143T-145T D	BASE	FRAME 182T-184T D	BASE	FRAME 213T-215T D	BASE	FRAME 254T-256T D	BASE	FRAME 284T/TS-286T/TS D	BASE	FRAME 324T/TS-326T/TS D	BASE	FRAME 364TS-365TS D
1-1/2	2	9	4	7 (178)	4	7 (178)	5	7 (178)	6	7 (178)	6	7 (178)	7	8-5/8 (219)	8	9 (229)
1-1/2	2	12	4	8-5/8 (219)	4	8-5/8 (219)	5	8-5/8 (219)	6	8-5/8 (219)	6	8-5/8 (219)	7	8-5/8 (219)	8	9 (229)
2	2-1/2	7	4	7-1/2 (191)	4	7-1/2 (191)	5	7-1/2 (191)	6	7-1/2 (191)	6	7-1/2 (191)	-	N/A	-	N/A
2	2-1/2	12	4	9-1/4 (235)	4	9-1/4 (235)	5	9-1/4 (235)	6	9-1/4 (235)	6	9-1/4 (235)	7	9-1/4 (235)	8	9-1/4 (235)
2	3	11	4	7-3/4 (197)	4	7-3/4 (197)	5	7-3/4 (197)	6	7-3/4 (197)	6	7-3/4 (197)	7	9-1/8 (232)	-	N/A
2-1/2	3	7	4	7-1/2 (191)	4	7-1/2 (191)	5	7-1/2 (191)	6	7-1/2 (191)	6	7-1/2 (191)	-	N/A	-	N/A
2-1/2	3	12	4	9-1/2 (241)	4	9-1/2 (241)	5	9-1/2 (241)	6	9-1/2 (241)	6	9-1/2 (241)	7	9-1/2 (241)	8	9-1/2 (241)
3	4	9	4	8-1/4 (210)	4	8-1/4 (210)	5	8-1/4 (210)	6	8-1/4 (210)	6	8-1/4 (210)	7	8-1/4 (210)	8	10 (254)
3	4	11	4	8-5/8 (219)	4	8-5/8 (219)	5	8-5/8 (219)	6	8-5/8 (219)	6	8-5/8 (219)	7	8-5/8 (219)	-	N/A
3	4	12	4	10 (254)	4	10 (254)	5	10 (254)	6	10 (254)	6	10 (254)	7	10 (254)	8	10 (254)
4	4	7	4	8-1/4 (102)	4	8-1/4 (127)	5	8-1/4 (152)	6	8-1/4 (152)	6	8-1/4 (152)	-	N/A	-	N/A
4	5	9A	4	8-7/8 (225)	4	8-7/8 (225)	5	8-7/8 (225)	6	8-7/8 (225)	6	8-7/8 (225)	7	8-7/8 (225)	8	9 (229)
4	5	9B	4	9 (229)	5	9 (229)	5	9 (229)	6	9 (229)	6	9 (229)	7	9 (229)	8	9 (229)
4	5	11	4	9 (229)	5	9 (229)	5	9 (229)	6	9 (229)	6	9 (229)	7	9 (229)	-	N/A
4	5	12	4	10-3/4 (273)	5	10-3/4 (273)	5	10-3/4 (273)	6	10-3/4 (273)	6	10-3/4 (273)	7	10-3/4 (273)	8	10-3/4 (273)
5	6	11	-	N/A	-	N/A	5	11-1/4 (286)	6	11-1/4 (286)	6	11-1/4 (286)	7	11-1/4 (286)	-	N/A
5	6	12	-	N/A	-	N/A	-	N/A	6	11-1/4 (286)	6	11-1/4 (286)	7	11-1/4 (286)	8	11-1/4 (286)
6	6	9	-	N/A	-	N/A	5	9-1/2 (241)	6	9-1/2 (241)	6	9-1/2 (241)	7	9-1/2 (241)	-	N/A
6	6	11	-	N/A	-	N/A	5	11-1/2 (292)	6	11-1/2 (292)	6	11-1/2 (292)	7	11-1/2 (292)	-	N/A

DISCHARGE	SUCTION	CASE BORE	BASE	FRAME 143T-145T D	BASE	FRAME 182T-184T D	BASE	FRAME 213T-215T D	BASE	FRAME 254T-256T D	BASE	FRAME 284T/TS-286T/TS D	BASE	FRAME 324T/TS-326T/TS D	BASE	FRAME 364TS-365TS D	FRAME 404TS D	
2	2-1/2	9	4	7-1/2 (191)	4	7-1/2 (191)	5	7-1/2 (191)	6	7-1/2 (191)	6	7-1/2 (191)	7	9 (229)	8	9 (229)	-	N/A
2-1/2	3	9	4	7-1/2 (191)	4	7-1/2 (191)	5	7-1/2 (191)	6	7-1/2 (191)	6	7-1/2 (191)	7	9-1/4 (235)	8	9-1/4 (235)	-	N/A
3	4	9	4	8-1/4 (210)	4	8-1/4 (210)	5	8-1/4 (210)	6	8-1/4 (210)	6	8-1/4 (210)	7	8-1/4 (210)	8	10 (254)	-	N/A
3	4	12	4	10 (254)	4	10 (254)	5	10 (254)	6	10 (254)	6	10 (254)	7	10 (254)	8	10 (254)	-	N/A
4	5	9A	4	8-7/8 (225)	4	8-7/8 (225)	5	8-7/8 (225)	6	8-7/8 (225)	6	8-7/8 (225)	7	8-7/8 (225)	8	9 (229)	-	N/A
4	5	12	4	10-3/4 (273)	5	10-3/4 (273)	5	10-3/4 (273)	6	10-3/4 (273)	6	10-3/4 (273)	7	10-3/4 (273)	8	10-3/4 (273)	-	N/A
5	6	11	-	N/A	-	N/A	5	11-1/4 (286)	6	11-1/4 (286)	6	11-1/4 (286)	7	11-1/4 (286)	-	N/A	-	N/A
5	6	12	-	N/A	-	N/A	-	N/A	6	11-1/4 (286)	6	11-1/4 (286)	7	11-1/4 (286)	8	11-1/4 (286)	-	N/A
6	6	11	-	N/A	-	N/A	5	11-1/2 (292)	6	11-1/2 (292)	6	11-1/2 (292)	7	11-1/2 (292)	-	N/A	-	N/A
6	6	12	-	N/A	-	N/A	-	N/A	6	11-3/8 (289)	6	11-3/8 (289)	7	11-3/8 (289)	8	11-3/8 (289)	9 (229)	11-3/8 (289)

AURORA MODEL 344A & 364A PUMPS ON STEEL DRIP RIM BASE



MODEL 344A ILLUSTRATED

BASE	SIZE	HA	HB	HE	HG	HH	HP	HK	HF
4	11 X 30	11	30-1/2	15-7/8	3	1/2	11/16	1-1/2	29-1/8
5	11 X 36	11	36-1/2	15-7/8	3	1/2	11/16	1-1/2	35-1/8
7	14 X 36	14	36-1/2	19	3	5/8	3/4	1-1/2	35
8	14 X 42	14	42-1/2	19	3	5/8	3/4	1-1/2	41
9	14 X 48	14	48-1/2	19	3	5/8	3/4	1-1/2	47
11	18 X 46	18	46-1/2	25-1/8	4	3/4	13/16	2	44-7/8
12	18 X 54	18	54-1/2	25-1/8	4	3/4	13/16	2	52-7/8
15	22 X 54	22	54-1/2	29-1/8	4-1/2	3/4	13/16	2	52-7/8

D	CASE BORE	POWER FRAME	MODEL 344A			MODEL 364A		
			1	2	3	1	2	3
		WG	10-5/16	13-13/16	13-13/16	10-5/16	13-13/16	13-13/16
340	CASE BORE	7	5-1/4	6-1/4	-			
		9	6-1/4	7	7			
		11	-	7	7			
		12	-	7	7			
360	CASE BORE	7	-	-	-	5-1/4	6-1/4	-
		9	-	-	-	5-1/4	7	7
		11	-	-	-	-	7	7
		12	-	-	-	-	7	7
MOTOR FRAME	C APPROX	D	BASE NUMBER					
56	12		4	N/A	N/A	4	N/A	N/A
143T	12		4	N/A	N/A	4	N/A	N/A
145T	13		4	7	N/A	4	7	N/A
182T	13		4	7	N/A	4	7	N/A
184T	14		4	7	N/A	4	7	N/A
213T	16	5-1/4	4	7	N/A	5	7	7
215T	18	5-1/4	5	7	N/A	5	7	7
254T	21	6-1/4	7	8	8	N/A	8	8
256T	23	6-1/4	N/A	8	8	N/A	8	8
284T	24	7	N/A	8	8	N/A	8	8
284TS	22	7	N/A	8	8	N/A	8	8
286T	25	7	N/A	8	8	N/A	9	9
286TS	24	7	N/A	8	8	N/A	8	8
324T	26	8	N/A	11	11	N/A	11	11
324TS	25	8	N/A	11	11	N/A	11	11
326T	28	8	N/A	11	11	N/A	11	11
326TS	26	8	N/A	11	11	N/A	11	11
364T	29	9	N/A	11	11	N/A	12	12
364TS	27	9	N/A	11	11	N/A	11	11
365TS	28	9	N/A	11	11	N/A	11	11
404TS	30	10	N/A	15	15	N/A	15	15

PUMPS WITH THREADED CONNECTIONS																	
PUMP SIZE		CASE BORE	X	Y	Z	DC	DD	344A DH		364A DH		344A HL			364A HL		
DISCH	SUCT							FRAME 1	FRAME 2 & 3	FRAME 1	FRAME 2 & 3	FRAME 1	FRAME 2	FRAME 3	FRAME 1	FRAME 2	FRAME 3
1-1/4	1-1/2	7	5-1/4	2-7/16	4-3/16	4-15/16	5-3/16	7-3/16	N/A	10-1/4	N/A	4-3/16	N/A	N/A	4-3/4	N/A	N/A
1-1/4	1-1/2	9	6-5/8	2-9/16	5-3/8	6-3/16	6-3/8	7-1/4	N/A	10-5/16	N/A	4-1/4	N/A	N/A	4-13/16	N/A	N/A
1-1/2	2	7	5-3/8	2-1/2	4-5/16	5-1/8	5-3/8	7-5/16	N/A	10-3/8	N/A	4-5/16	N/A	N/A	4-7/8	N/A	N/A
1-1/2	2	9	6-3/4	2-5/8	5-1/2	6-5/16	6-9/16	7-3/8	8-3/8	10-7/16	11-1/4	4-3/8	4-7/8	N/A	4-15/16	5	N/A
1-1/2	2	11	9	2-13/16	6-1/8	7-1/16	7-1/4	N/A	8-9/16	N/A	11-7/16	N/A	5-3/8	N/A	N/A	7	N/A
1-1/2	2	12	7-3/4	2-3/4	7-1/16	8	8-1/4	N/A	8-5/8	N/A	11-1/2	N/A	5-5/8	N/A	N/A	5-1/4	5-1/4
PUMPS WITH ANSI 125 LB FLANGED CONNECTIONS																	
2	2-1/2	7	5-5/8	1-7/8	4-9/16	5-3/8	5-13/16	6-13/16	7-13/16	9-7/8	10-11/16	3-13/16	4-5/16	N/A	4-3/8	4-7/16	N/A
2	2-1/2	9	7	1-7/8	5-11/16	6-1/2	6-7/8	6-3/4	7-3/4	9-13/16	10-5/8	3-3/4	N/A	3-7/8	4-5/16	N/A	4-3/8
2	2-1/2	12	8	1-7/8	7-3/16	8-3/16	8-1/2	N/A	7-7/8	N/A	10-3/4	N/A	4-7/8	N/A	N/A	4-1/2	N/A
2	3	11	8	2-3/8	6-1/2	7	7-3/8	N/A	8-1/2	N/A	11-3/8	N/A	5-1/32	N/A	N/A	5-5/32	N/A
2-1/2	3	7	5-7/8	2	4-13/16	5-13/16	6-1/4	7-1/16	8-1/16	10-1/8	10-15/16	4-1/16	4-9/16	N/A	4-5/8	4-11/16	N/A
2-1/2	3	9	7-1/4	2	5-15/16	6-3/4	7-1/4	7	8	N/A	10-7/8	4	N/A	4-1/2	N/A	4-5/8	4-5/8
2-1/2	3	12	8-1/4	2	7-3/8	8-3/8	8-3/4	N/A	8-1/8	N/A	11	N/A	5-1/8	N/A	N/A	4-3/4	4-3/4
3	4	9	7-1/2	2-1/8	6-1/8	6-7/8	7-7/16	7-1/4	8-1/4	N/A	11-1/8	4-1/4	N/A	4-3/4	N/A	N/A	4-7/8
3	4	11	9	2-3/4	7	7-9/16	8-3/16	N/A	9-3/16	N/A	12-1/16	N/A	5-11/16	N/A	N/A	5-13/16	N/A
3	4	12	8-1/2	2-1/8	7-9/16	8-7/16	8-15/16	N/A	8-3/8	N/A	11-1/4	N/A	5-3/8	N/A	5	5	5
4	4	7	6-1/2	2-1/2	5-1/2	6-7/16	7-5/16	7-15/16	8-15/16	11	11-13/16	4-15/16	5-7/16	N/A	5-1/2	5-9/16	N/A
4	5	9A	7-1/4	3-1/8	5-3/4	6-11/16	7-3/8	N/A	9-3/8	N/A	12-1/4	N/A	5-7/8	5-7/8	N/A	6	6
4	5	9B	7-3/4	2-5/8	6-5/8	8-1/16	8-11/16	N/A	9	N/A	11-7/8	N/A	5-1/2	N/A	N/A	5-5/8	N/A
4	5	11	9	3	7-1/4	7-15/16	8-11/16	N/A	9-5/8	N/A	12-1/2	N/A	6-1/8	N/A	N/A	6-1/4	N/A
4	5	12	8-3/4	2-5/8	7-15/16	8-7/8	9-9/16	N/A	9-1/8	N/A	12	N/A	6-1/8	6-1/8	N/A	5-3/4	5-3/4
5	6	11	9	3-1/8	8-1/16	8-11/16	10-1/8	N/A	10-1/8	N/A	13	N/A	6-5/8	6-5/8	N/A	6-3/4	6-3/4
5	6	12	9	2-7/8	8-5/16	9-1/4	10-1/8	N/A	9-5/8	N/A	12-1/2	N/A	6-5/8	6-5/8	N/A	6-1/4	6-1/4
6	6	9	8-1/4	2-3/4	7	8	9	N/A	9-1/4	N/A	12-1/8	N/A	5-3/4	N/A	N/A	5-7/8	N/A
6	6	11	9-1/4	3-1/8	8-11/16	9-11/16	10-13/16	N/A	10-1/8	N/A	13	N/A	7-1/8	7-1/8	N/A	6-3/4	6-3/4
6	6	12	9-1/4	3-1/8	8-11/16	9-11/16	10-13/16	N/A	10-1/8	N/A	13	N/A	N/A	7-1/8	N/A	N/A	6-3/4

NOTES:

1. All dimensions in inches (mm).
2. Dimensions may vary ± 1/4.

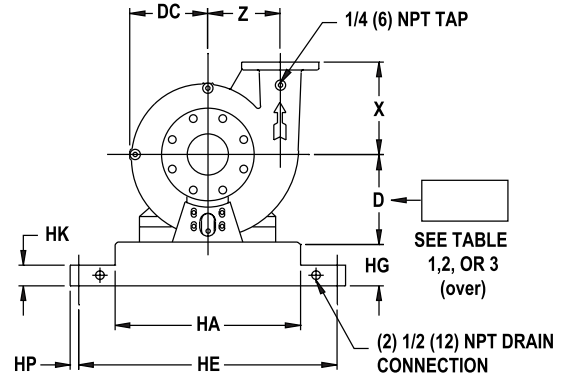
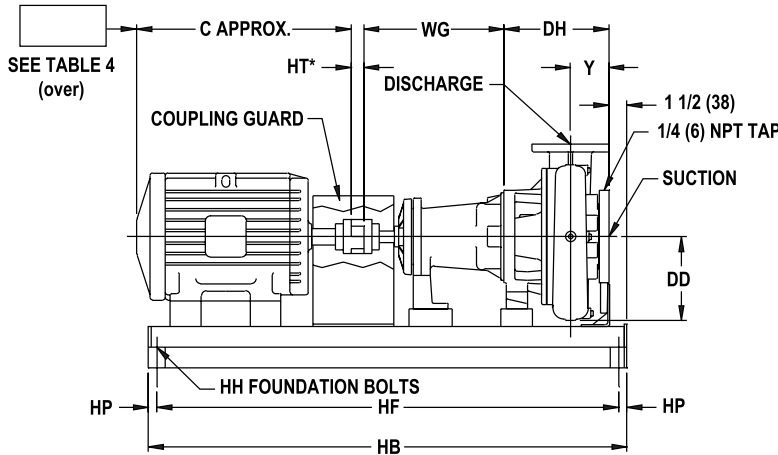
3. Not for construction purposes unless certified.
4. N/A = not applicable.
5. Check discharge position. Casing dimensions which exceed dimension "D" may require pads for the pump and/or motor.
6. Conduit box is shown in approximate location. Dimensions are not specified as they vary with each motor manufacturer
- * Dim "HT" may vary 1/8 TO 1.
- † D Dimension of 5 x 6 x 11, 5 x 6 x 12, 6 x 6 x 11 and 6 x 6 x 12 pump with 213T thru 286T motor is 9.

AURORA MODEL 344A PUMPS

STEEL DRIP RIM BASE WITH OPTIONAL CASING FOOT

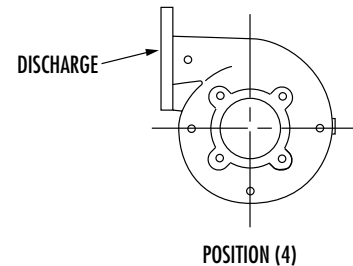
Dated **January 2003**

Supersedes Section 340A Page 305
Dated May 1994



MODEL 344A ILLUSTRATED

PUMPS WITH FLANGED SUCTION CONNECTIONS AND THREADED DISCHARGE CONNECTIONS									
PUMP SIZE			X	Y	Z	DC	DD	FRAME 1 DH	FRAME 2 & 3 DH
DISCHARGE	SUCTION	CASE BORE							
1-1/4	1-1/2	7	5-1/4 (133)	3-3/8 (86)	4-3/16 (106)	4-15/16 (125)	5-3/16 (132)	8-1/8 (206)	N/A
1-1/4	1-1/2	9	6-5/8 (168)	3-1/2 (89)	5-3/8 (137)	6-3/16 (157)	6-3/8 (162)	8-3/16 (208)	N/A
1-1/2	2	7	5-3/8 (137)	3-7/16 (87)	4-5/16 (110)	5-1/8 (130)	5-3/8 (137)	8-1/4 (210)	N/A
1-1/2	2	9	6-3/4 (171)	3-9/16 (90)	5-1/2 (140)	6-5/16 (160)	6-9/16 (167)	8-5/16 (211)	9-5/16 (237)
1-1/2	2	12	7-3/4 (197)	3-11/16 (94)	7-1/16 (179)	8 (203)	8-1/14 (205)	N/A	9-5/16 (237)
PUMPS WITH ANSI 125 LB. FLANGED CONNECTIONS									
2	2-1/2	7	5-5/8 (143)	2-13/16 (71)	4-9/16 (116)	5-3/8 (137)	5-13/16 (148)	7-3/4 (197)	8-3/4 (222)
2	2-1/2	9	7 (178)	2-13/16 (71)	5-11/16 (144)	6-1/2 (165)	6-7/8 (175)	7-11/16 (195)	8-11/16 (221)
2	2-1/2	12	8 (203)	2-13/16 (71)	7-3/16 (183)	8-3/16 (208)	8-1/2 (216)	N/A	8-13/16 (224)
2	3	11	8 (203)	3-5/16 (84)	6-1/2 (165)	7 (178)	7-3/8 (187)	N/A	9-7/16 (240)
2-1/2	3	7	5-7/8 (149)	2-15/16 (75)	4-13/16 (122)	5-13/16 (148)	6-1/4 (159)	8 (203)	9 (229)
2-1/2	3	9	7-1/4 (184)	2-15/16 (75)	5-15/16 (151)	6-3/4 (171)	7-1/4 (184)	7-15/16 (202)	8-15/16 (227)
2-1/2	3	12	8-1/4 (210)	2-15/16 (75)	7-3/8 (187)	8-3/8 (213)	8-3/4 (222)	N/A	9-1/16 (230)
3	4	9	7-1/2 (191)	3-1/16 (78)	6-1/8 (156)	6-7/8 (175)	7-7/16 (189)	8-3/16 (208)	9-3/16 (233)
3	4	11	9 (229)	3-11/16 (94)	7 (178)	7-9/16 (192)	8-3/16 (208)	N/A	10-1/8 (257)
3	4	12	8-1/2 (216)	3-1/16 (78)	7-9/16 (192)	8-7/16 (214)	8-15/16 (227)	N/A	9-5/16 (237)
4	4	7	6-1/2 (165)	3-7/16 (87)	5-1/2 (140)	6-7/16 (164)	7-5/16 (186)	8-7/8 (225)	9-7/8 (251)
4	5	9A	7-1/4 (184)	4-1/16 (103)	5-3/4 (146)	6-11/16 (170)	7-3/8 (187)	N/A	10-5/16 (262)
4	5	9B	7-3/4 (197)	3-9/16 (90)	6-5/8 (168)	8-1/16 (205)	8-11/16 (221)	N/A	9-15/16 (252)
4	5	11	9 (229)	3-15/16 (100)	7-1/4 (184)	7-15/16 (202)	8-11/16 (221)	N/A	10-9/16 (268)
4	5	12	8-3/4 (222)	3-9/16 (90)	7-15/16 (202)	8-7/8 (225)	9-9/16 (243)	N/A	10-1/16 (256)
5	6	11	9 (229)	4-1/8 (105)	8-1/16 (205)	8-11/16 (221)	10-1/8 (257)	N/A	11-1/8 (283)
5	6	12	9 (229)	3-7/8 (98)	8-5/16 (211)	9-1/4 (235)	10-1/8 (257)	N/A	10-5/8 (270)
6	6	9	8-1/4 (210)	3-3/4 (95)	7 (178)	8 (203)	9 (229)	N/A	10-1/4 (260)
6	6	11	9-1/4 (235)	4-1/8 (105)	8-11/16 (221)	9-11/16 (246)	10-13/16 (275)	N/A	11-1/8 (283)
6	6	12	9-1/4 (235)	4-1/8 (105)	8-11/16 (221)	9-11/16 (246)	10-13/16 (275)	N/A	11-1/8 (283)



BASE	SIZE	HA	HB	HE	HG	HH	HP	HK	HF
7	14x36	14 (355)	36-1/2 (927)	19 (482)	3 (76)	5/8 (15)	3/4 (19)	1-1/2 (38)	35 (889)
8	14x42	14 (355)	42-1/2 (1079)	19 (482)	3 (76)	5/8 (15)	3/4 (19)	1-1/2 (38)	41 (1041)
11	18x46	18 (457)	46-1/2 (1181)	25-1/8 (638)	4 (102)	3/4 (19)	13/16 (20)	2 (50)	44-7/8 (1139)
12	18x54	18 (457)	54-1/2 (1384)	25-1/8 (638)	4 (102)	3/4 (19)	13/16 (20)	2 (50)	52-7/8 (1343)
15	22x54	22 (558)	54-1/2 (1384)	29-1/8 (739)	4-1/2 (114)	3/4 (19)	13/16 (20)	2 (50)	52-7/8 (1343)
16	22x64	22 (558)	64-1/2 (1638)	29-1/8 (739)	4-1/2 (114)	3/4 (19)	13/16 (20)	2 (50)	62-7/8 (1597)

NOTES:

- All dimensions in inches (mm).
 - Dimensions may vary $\pm 1/4"$ (6).
 - Not for construction purposes unless certified.
 - N/A = not applicable.
 - Conduit box is shown in approximate location. Dimensions are not specified as they vary with each motor manufacturer.
- * Dimension "HT" may vary 1/8" (3) to 1" (25).

Supersedes Section 340A Page 306
Dated October 1993

DISCHARGE	SUCTION	CASE BORE	BASE	FRAME 56C D	BASE	FRAME 143T-45T D	BASE	FRAME 182T-184T D	BASE	FRAME 213T-215T D	BASE	FRAME 254T D
1-1/4 (32)	1-1/2 (38)	7 (178)	7	6-3/4 (171)	7	6-3/4 (171)	7	6-3/4 (171)	8	6-3/4 (171)	8	6-3/4 (171)
1-1/4 (32)	1-1/2 (38)	9 (229)	7	6-3/4 (171)	7	6-3/4 (171)	7	6-3/4 (171)	8	6-3/4 (171)	8	6-3/4 (171)
1-1/2 (38)	2 (51)	7 (178)	7	6-3/4 (171)	7	6-3/4 (171)	7	6-3/4 (171)	8	6-3/4 (171)	8	6-3/4 (171)
1-1/2 (38)	2 (51)	9 (229)	7	6-3/4 (171)	7	6-3/4 (171)	7	6-3/4 (171)	8	6-3/4 (171)	8	6-3/4 (171)
2 (51)	2-1/2 (64)	7 (178)	7	7-1/2 (191)	7	7-1/2 (191)	7	7-1/2 (191)	8	7-1/2 (191)	8	7-1/2 (191)
2 (51)	2-1/2 (64)	9 (229)	7	7-1/2 (191)	7	7-1/2 (191)	7	7-1/2 (191)	8	7-1/2 (191)	8	7-1/2 (191)
2-1/2 (64)	3 (76)	7 (178)	7	7-1/2 (191)	7	7-1/2 (191)	7	7-1/2 (191)	8	7-1/2 (191)	8	7-1/2 (191)
2-1/2 (64)	3 (76)	9 (229)	7	7-1/2 (191)	7	7-1/2 (191)	7	7-1/2 (191)	8	7-1/2 (191)	8	7-1/2 (191)
3 (76)	4 (102)	9 (229)	7	8-1/4 (210)	7	8-1/4 (210)	7	8-1/4 (210)	8	8-1/4 (210)	8	8-1/4 (210)
4 (102)	4 (102)	7 (178)	7	8-1/4 (210)	7	8-1/4 (210)	8	8-1/4 (210)	8	8-1/4 (210)	8	8-1/4 (210)

MOTOR FRAME	C	MOTOR FRAME	C
56C	12	284TS	22
143T	12	286T	25
145T	13	286TS	24
182T	13	324T	26
184T	14	324TS	25
213T	16	326T	28
215T	18	326TS	26
254T	21	364TS	27
256T	23	365TS	28
284T	24	404TS	30

DISCHARGE	SUCTION	CASE BORE	BASE	FRAME 143T-145T D	BASE	FRAME 182T-184T D	BASE	FRAME 213T-215T D	BASE	FRAME 254T-256T D	BASE	FRAME 284T/TS-286T/TS D	BASE	FRAME 324T/TS-326T/TS D	BASE	FRAME 364TS-365TS D
1-1/2	2	9	8	7 (178)	8	7 (178)	11	7 (178)	12	7 (178)	12	7 (178)	12	8-5/8 (219)	15	9 (229)
1-1/2	2	12	8	8-5/8 (219)	8	8-5/8 (219)	11	8-5/8 (219)	12	8-5/8 (219)	12	8-5/8 (219)	12	8-5/8 (219)	15	9 (229)
2	2-1/2	7	8	7-1/2 (191)	8	7-1/2 (191)	11	7-1/2 (191)	12	7-1/2 (191)	-	N/A	-	N/A	-	N/A
2	2-1/2	12	8	9-1/4 (235)	8	9-1/4 (235)	11	9-1/4 (235)	12	9-1/4 (235)	12	9-1/4 (235)	12	9-1/4 (235)	15	9-1/4 (235)
2	3	11	8	7-3/4 (197)	8	7-3/4 (197)	11	7-3/4 (197)	12	7-3/4 (197)	12	7-3/4 (197)	12	9-1/8 (232)	-	N/A
2-1/2	3	7	8	7-1/2 (191)	8	7-1/2 (191)	11	7-1/2 (191)	12	7-1/2 (191)	-	N/A	-	N/A	-	N/A
2-1/2	3	12	8	9-1/2 (241)	8	9-1/2 (241)	11	9-1/2 (241)	12	9-1/2 (241)	12	9-1/2 (241)	12	9-1/2 (241)	15	9-1/2 (241)
3	4	9	8	8-1/4 (210)	8	8-1/4 (210)	11	8-1/4 (210)	12	8-1/4 (210)	12	8-1/4 (210)	12	8-1/4 (210)	15	10 (254)
3	4	11	8	8-5/8 (219)	8	8-5/8 (219)	11	8-5/8 (219)	12	8-5/8 (219)	12	8-5/8 (219)	12	8-5/8 (219)	-	N/A
3	4	12	8	10 (254)	8	10 (254)	11	10 (254)	12	10 (254)	12	10 (254)	12	10 (254)	15	10 (254)
4	4	7	8	8-1/4 (210)	8	8-1/4 (210)	11	8-1/4 (210)	12	8-1/4 (210)	12	8-1/4 (210)	-	N/A	-	N/A
4	5	9A	8	8-7/8 (225)	8	8-7/8 (225)	11	8-7/8 (225)	12	8-7/8 (225)	12	8-7/8 (225)	12	8-7/8 (225)	15	9 (229)
4	5	9B	8	9 (229)	11	9 (229)	11	9 (229)	12	9 (229)	12	9 (229)	12	9 (229)	15	9 (229)
4	5	11	8	9 (229)	11	9 (229)	11	9 (229)	12	9 (229)	12	9 (229)	12	9 (229)	-	N/A
4	5	12	8	10-3/4 (273)	11	10-3/4 (273)	11	10-3/4 (273)	12	10-3/4 (273)	12	10-3/4 (273)	12	10-3/4 (273)	15	10-3/4 (273)
5	6	11	-	N/A	-	N/A	11	11-1/4 (286)	12	11-1/4 (286)	12	11-1/4 (286)	12	11-1/4 (286)	-	N/A
5	6	12	-	N/A	-	N/A	-	N/A	12	11-1/4 (286)	12	11-1/4 (286)	12	11-1/4 (286)	15	11-1/4 (286)
6	6	9	-	N/A	-	N/A	11	9-1/2 (241)	12	9-1/2 (241)	12	9-1/2 (241)	12	9-1/2 (241)	-	N/A
6	6	11	-	N/A	-	N/A	11	11-1/2 (292)	12	11-1/2 (292)	12	11-1/2 (292)	12	11-1/2 (292)	-	N/A

DISCHARGE	SUCTION	CASE BORE	BASE	FRAME 143T-145T D	BASE	FRAME 182T-184T D	BASE	FRAME 213T-215T D	BASE	FRAME 254T-256T D	BASE	FRAME 284T/TS-286T/TS D	BASE	FRAME 324T/TS-326T/TS D	BASE	FRAME 364TS-365TS D	BASE	FRAME 404TS D
2	2-1/2	9	8	7-1/2 (191)	8	7-1/2 (191)	11	7-1/2 (191)	12	7-1/2 (191)	12	7-1/2 (191)	12	9 (229)	15	9 (229)	-	N/A
2-1/2	3	9	8	7-1/2 (191)	8	7-1/2 (191)	11	7-1/2 (191)	12	7-1/2 (191)	12	7-1/2 (191)	12	9-1/4 (235)	15	9-1/4 (235)	-	N/A
3	4	9	8	8-1/4 (210)	8	8-1/4 (210)	11	8-1/4 (210)	12	8-1/4 (210)	12	8-1/4 (210)	12	8-1/4 (210)	15	10 (254)	-	N/A
3	4	12	8	10 (254)	8	10 (254)	11	10 (254)	12	10 (254)	12	10 (254)	12	10 (254)	15	10 (254)	-	N/A
4	5	9A	8	8-7/8 (225)	8	8-7/8 (225)	11	8-7/8 (225)	12	8-7/8 (225)	12	8-7/8 (225)	12	8-7/8 (225)	15	9 (229)	-	N/A
4	5	12	8	10-3/4 (273)	11	10-3/4 (273)	11	10-3/4 (273)	12	10-3/4 (273)	12	10-3/4 (273)	12	10-3/4 (273)	15	10-3/4 (273)	-	N/A
5	6	11	-	N/A	-	N/A	11	11-1/4 (286)	12	11-1/4 (286)	12	11-1/4 (286)	12	11-1/4 (286)	-	N/A	-	N/A
5	6	12	-	N/A	-	N/A	-	N/A	12	11-1/4 (286)	12	11-1/4 (286)	12	11-1/4 (286)	15	11-1/4 (286)	-	N/A
6	6	11	-	N/A	-	N/A	11	11-1/2 (292)	12	11-1/2 (292)	12	11-1/2 (292)	12	11-1/2 (292)	-	N/A	-	N/A
6	6	12	-	N/A	-	N/A	-	N/A	12	11-3/8 (289)	12	11-3/8 (289)	12	11-3/8 (289)	15	11-3/8 (289)	16	11-3/8 (289)

AURORA SERIES 340

SELECTION CHART

1150 R.P.M.

ENCLOSED IMPELLER

