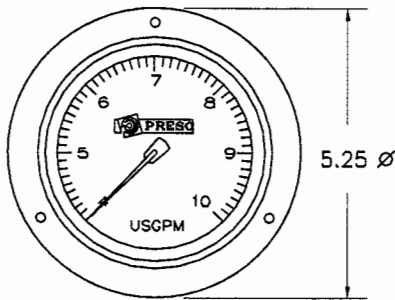


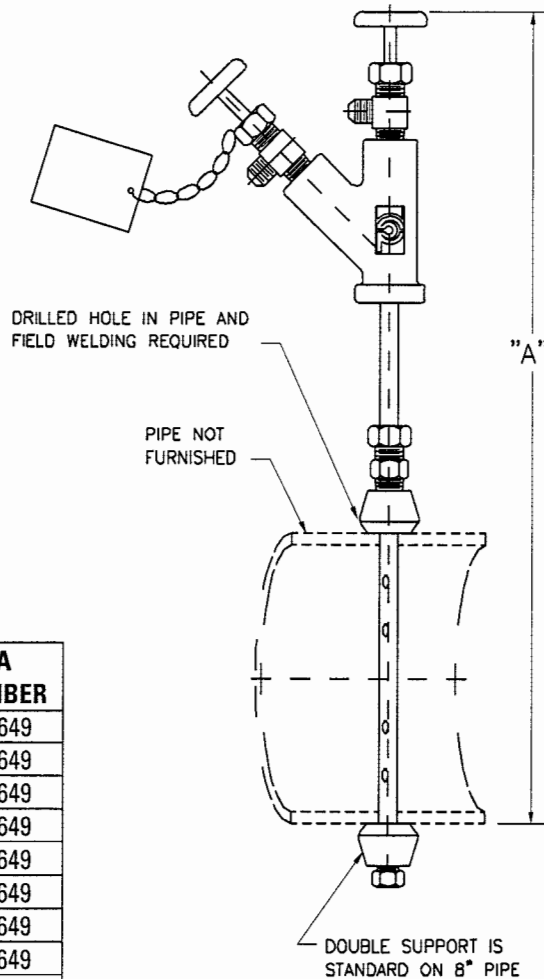
# AURORA FIRE PUMPS

## OPTION 91 - FLOW METERING SYSTEM



### PRESO ANNULAR FLOW METERS

NOMINAL FLOW RATE G.P.M.	PIPE SIZE	OPTION NUMBER	"A" DIM.	AURORA PART NUMBER
100	2.5	91ADL	11	366-0658-649
150	3	91ADM	11.5	366-0659-649
200	3	91ADN	11.5	366-0660-649
250	3.5	91AF	12	366-0166-649
	4	91ADP	12.5	366-0661-649
300	4	91ADR	12.5	366-0662-649
400	4	91ADT	12.5	366-0663-649
450	4	91ADW	12.5	366-0664-649
	5	91AEA	14	366-0665-649
500	5	91AG	14	366-0167-649
750	5	91AH	14	366-0168-649
	6	91TF	15	366-0233-649
1000	6	91AJ	15	366-0169-649
	8	91TG	17	366-0234-649
1250	6	91AK	15	366-0170-649
	8	91TH	17	366-0235-649
1500	8	91AL	17	366-0171-649
	10	91TJ	19-1/8	366-0236-649
2000	8	91AM	17	366-0172-649
	10	91TK	19-1/8	366-0237-649
2500	8	91AN	17	366-0173-649
	10	91TL	19-1/8	366-0238-649
	12	91TM	22-1/8	366-0239-649
3000	10	91AP	19-1/8	366-0174-649
	12	91TN	22-1/8	366-0240-649
3500	10	91AR	19-1/8	366-0175-649
	12	91TP	22-1/8	366-0241-649
	14	91TR	24-7/8	366-0242-649
4000	12	91AT	22-1/8	366-0176-649
	14	91TT	24-7/8	366-0243-649



**NOTES:**

1. Accuracy is approximately ± 2.5% of full scale.
2. Flow meter is Preso Model PFB annubar type rated for 250 PSI.
3. Proper operation requires that minimum distances of straight pipe runs be maintained both upstream and downstream from flowmeter. Refer to manufacturer's instructions before attempting installation.
4. Meter range is 50% to 200% of nominal rated flow. Dial is direct-reading in G.P.M. for the specified range.